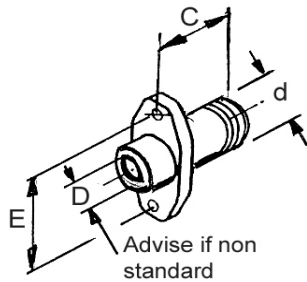


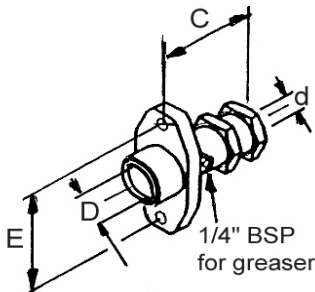
INBOARD FLANGE FOR PSS/TIDES SEAL ETC.

To order, advise "d" and any special requirements



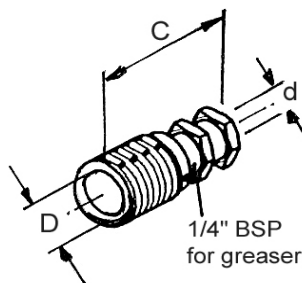
shaft range	"d" inside dia. of your hose	"C" as std.	std. tube dia. "D" thread 12 t.p.i	"E" std. bolt centres	Std. Price
7/8" to 1 1/8"	1 1/4" to 1 3/4"	2 1/2"	1 1/2"	4"	£165.00
22mm to 28mm	1 1/4" to 1 1/8"	3"	1 3/4"	4 1/2"	£210.00
30mm to 35mm	1 1/2" to 1 3/4"	2 5/8"	2" or 2 1/4"	4 holes 4 1/2" PCD	£185.00
40mm to 45mm		flat back		round flange	

RIGID INBOARD GLAND



To Order: Select shaft dia. and any non-standard requirements	for shaft dia. "d"	"C" as std.	std. tube dia. "D" thread 12 t.p.i	"E" std. bolt centres	Std. Price
7/8" to 1"	22mm to 25mm	3 1/4"	1 1/2"	4"	£260.00
1 1/8" to 1 3/8"	28mm to 35mm	3 1/2"	1 3/4"	4" to 4 1/2"	£300.00
1 1/2" & 40mm		3 1/2"	2"	4 holes 4 1/2" PCD	£390.00
1 3/4" & 45mm		3 1/2"	2 1/2"	4 holes 4 1/2" PCD	£430.00

FLEXIBLE INBOARD GLAND



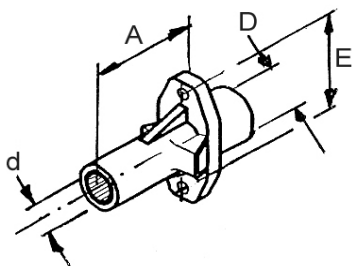
with nut type gland (stud type over 1 3/8" / 35mm)

To Order specify "d" shaft dia. and confirm "D"	for shaft dia. "d"	approx "C"	standard "D"	Price
3/4" / 20	7/8" / 22	6" / 150	1 1/4" / 32 - 2" / 51	£215.00
1" / 25	1 1/8" / 28	6" / 150	1 1/2" / 38 - 2" / 51	£215.00
1 1/8" / 30	1 1/2" / 40	6" / 150	1 1/2" / 38 - 2" / 51	£215.00
1 3/8" / 35	1 5/8" or 1 3/4" / 45	6" / 150	1 1/2" / 38 - 2" / 51	£230.00
1 1/2" / 40		7" / 175	1 3/4" / 43 - 2 1/4" / 58	£280.00
1 5/8" or 1 3/4" / 45		8" / 200	2" / 51 - 2 1/2" / 64	£435.00
		8" / 200	2" / 51 - 2 1/2" / 64	£500.00

special requirements can usually be accommodated

WATER SCOOP OUTBOARD BEARING

(Cutless fitted)

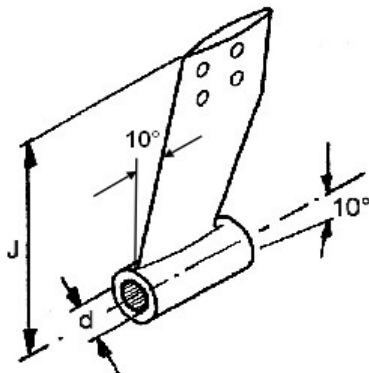


To Order specify "d" shaft dia. and see NOTE*	for shaft dia. "d"	standard length "A"	std. tube dia. "D" thread 12 t.p.i	"E" std. bolt centres	Std. Price
7/8" / 22	1" / 25	4 1/2" / 144	1 1/2" / 38	4" / 102	£270.00
1 1/8" / 28	1 1/4" / 30 - 1 3/8" / 35	5" / 125	1 1/2" / 38	4" / 102	£270.00
1 1/2" / 40	1 1/2" / 40	5 1/4" / 135	1 3/4" / 45	4" / 102	£280.00
1 5/8" or 1 3/4" / 45	1 1/2" / 40	6" / 150	1 3/4" / 45	4 1/2" / 114	£290.00
	1 1/2" / 40	7" / 178	22 / 51	5" / 127	£410.00
	1 5/8" or 1 3/4" / 45	7 1/2" / 188	2 1/4" / 57	5" / 127	£435.00

Stuart copy casting option - used as inboard flange £150.00 / used as outboard bearing housing with cutless £230.00

NOTE* Please advise us of any non-standard requirements which we will endeavour to accommodate

GLASS-IN "P" BRACKETS



for shaft dia. "d"	length "J"	Price
3/4" / 20	10" / 250	£245.00
7/8" / 22	16" / 400	£260.00
1" / 25	16" / 400	£270.00
1 1/8" / 28	16" / 400	£275.00
1 1/4" / 30	16" / 400	£350.00
1 3/8" / 35	18" / 450	£490.00
1 1/2" / 40	18" / 450	£580.00
1 3/4" / 45	22" / 550	£870.00
2" / 50	22" / 550	£999.00

Note: All prices are based on current costs, these may be amended in the case of escalating material prices, please check before ordering.