

### Propeller 18"-20" Overdrive for Sail drive.

- A) Mounting of a complete propeller for sail drive
- B) Exchange of "shock-torque absorber"
- C) Exchange of "rubber blade stop"
- D) Exchange of "zinc anodes"
- E) Cleaning of "Gearwheel"
- F) Spare Parts List

**DK**

**Læs instruktionen før der arbejdes med propellen.**

**Vigtigt!**

Udskift zink hvis de er korroderet mere end 50%.

**Advarsel!**

Pas på skarpe kanter.

**GB**

**Read the Instructions before any work on the propeller.**

**Important!**

Replace Zinc if eroded more than 50%.

**Warning!**

Beware of sharp edges.

**D**

**Bitte die Anweisung lesen, bevor Sie mit dem Propeller arbeiten.**

**Wichtig!**

Zinkteile auswechseln, wenn sie mehr als 50% korrodiert sind.

**Warnung!**

Achten Sie auf die scharfe Kanten.

**F**

**Lire les instructions avant toute intervention sur l'hélice**

**Important!**

Remplacer l'anode zinc si elle est corrodé à plus de 50%

**Attention!**

Attention aux bords coupants

**IT**

**Leggere attentamente le Istruzioni prima di qualsiasi operazione sull'elica.**

**Importante!**

Sostituire l'anodo di zinco se usurato più del 50%

**Avvertenza!**

Prestare attenzione alle parti taglienti

**ESP**

**Lea las instrucciones antes de efectuar cualquier trabajo en la hélice.**

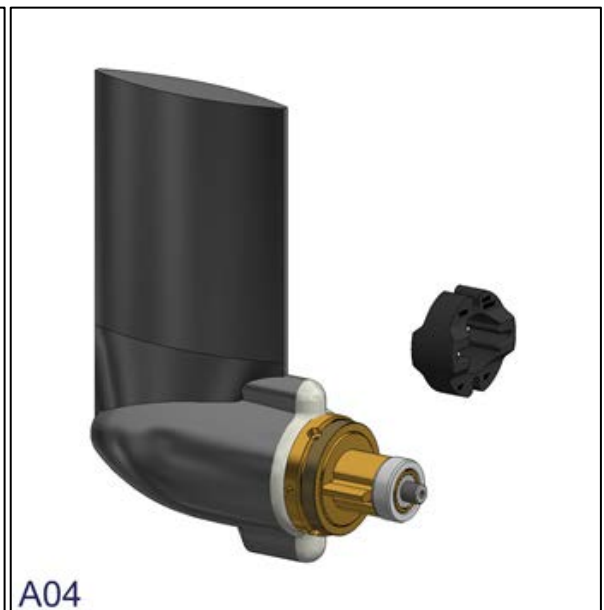
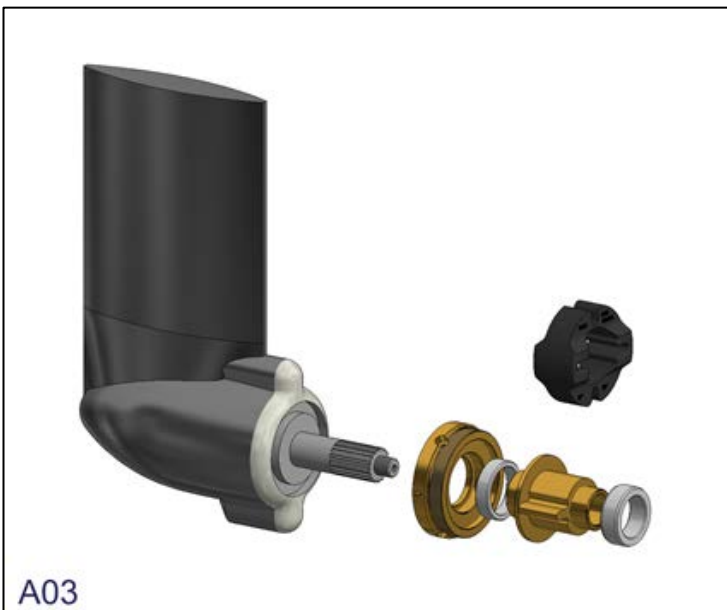
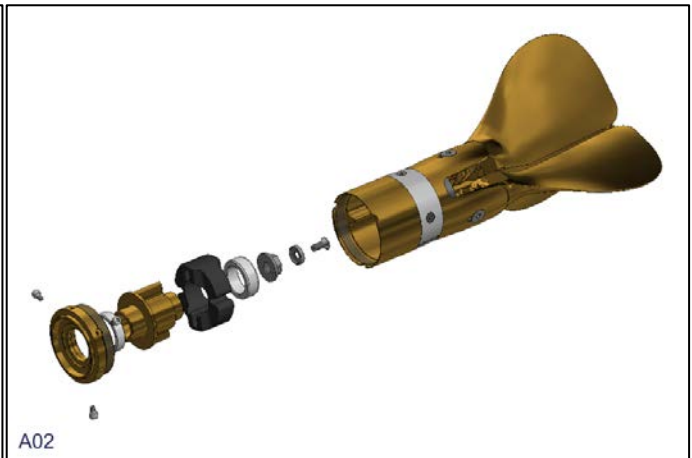
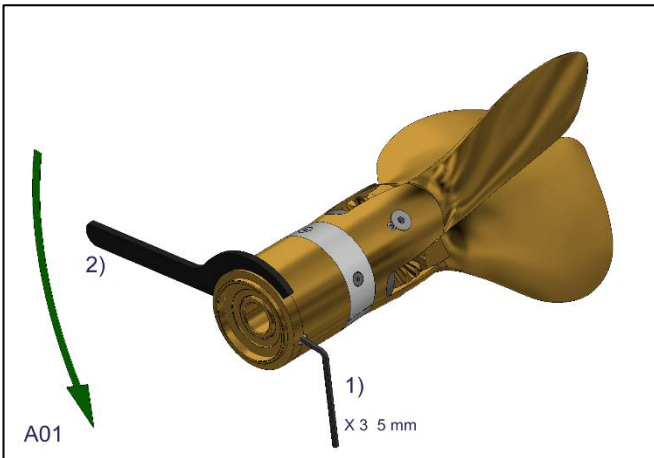
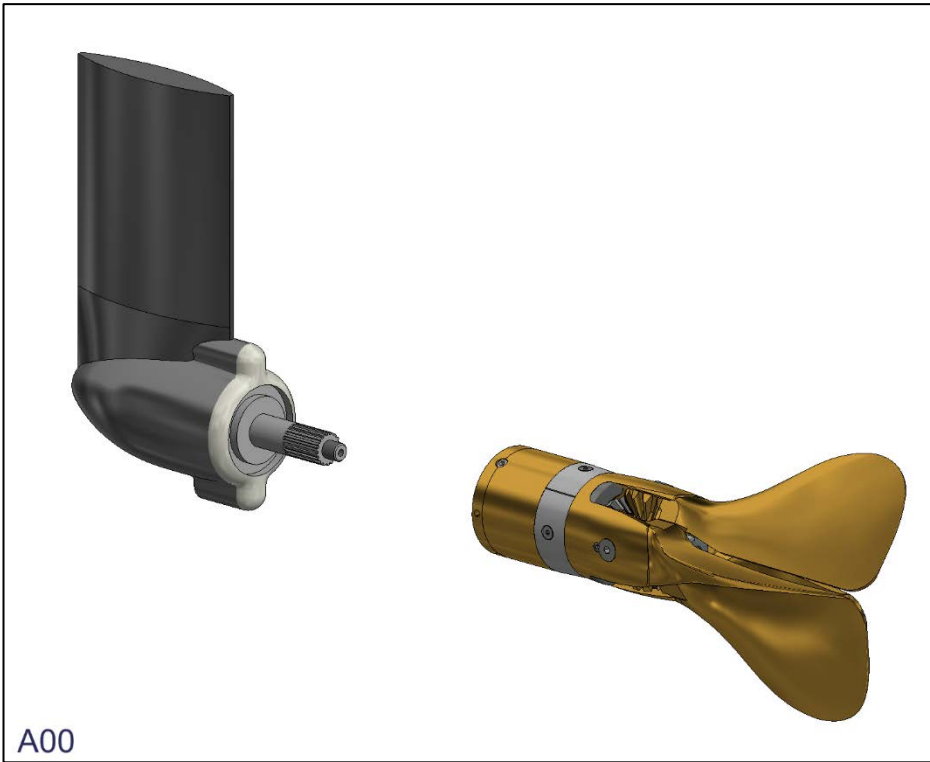
**¡ Importante !**

Reemplazar el ánodo si observa mas de un 50 % de corrosión.

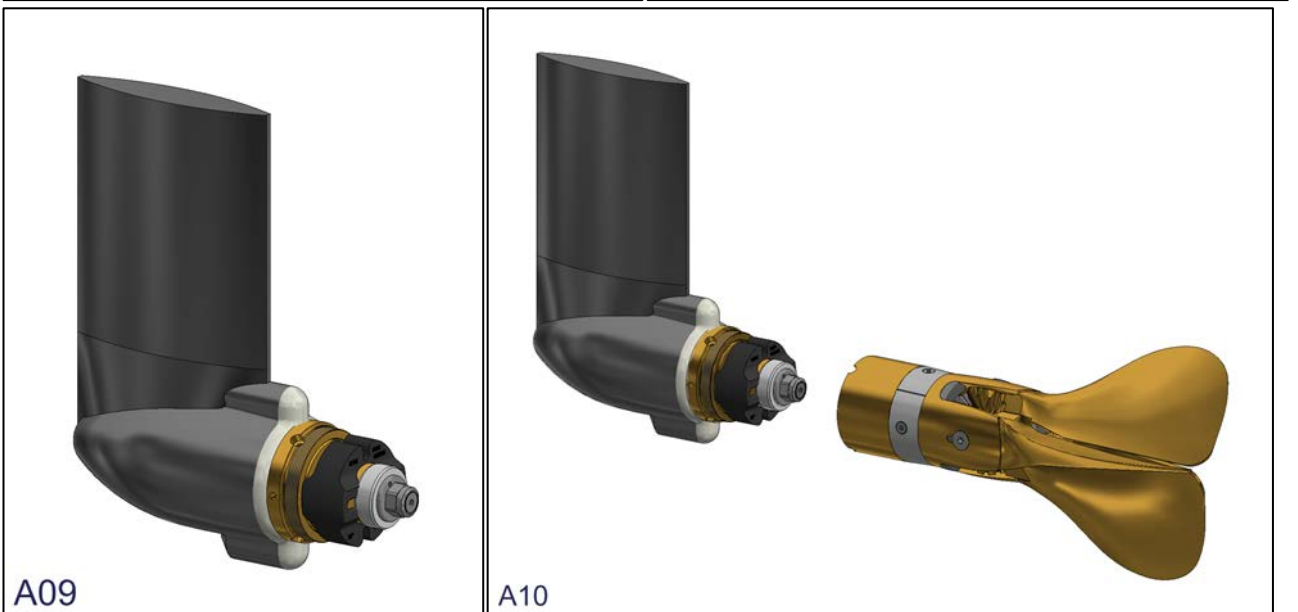
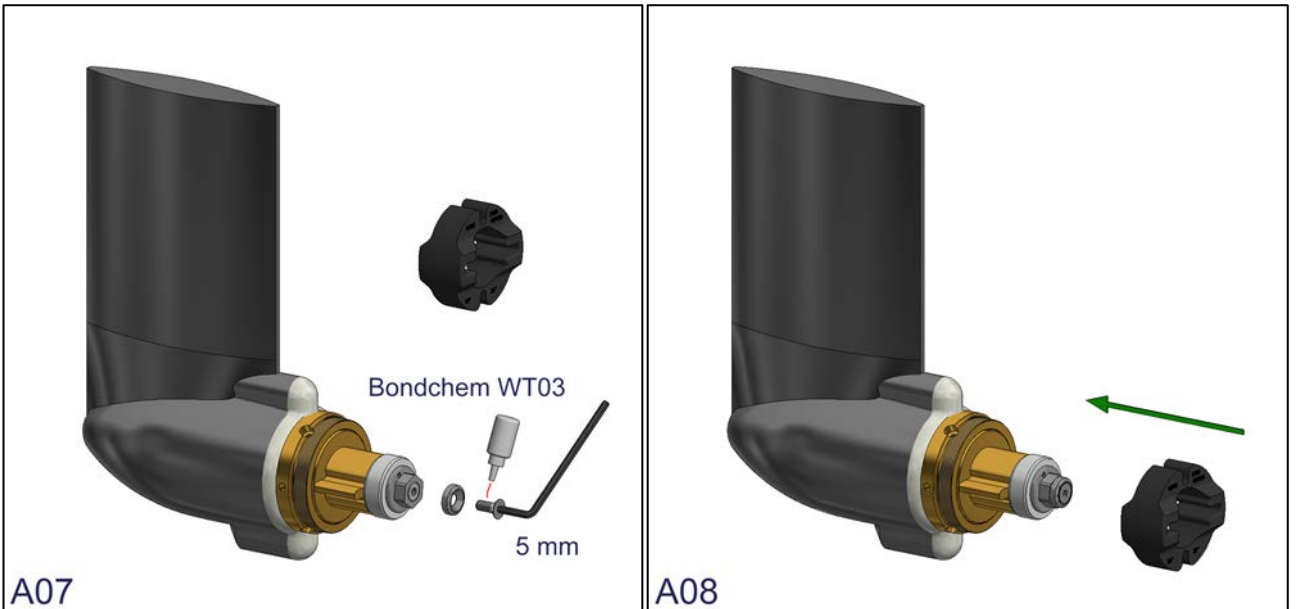
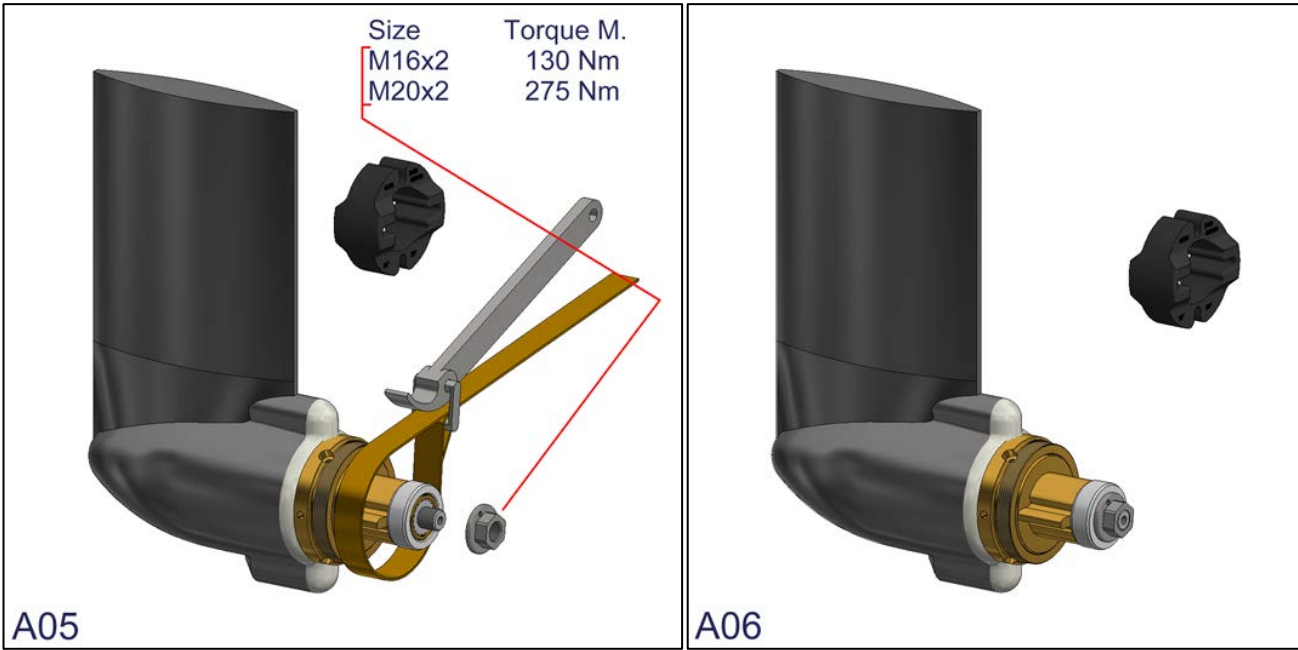
**¡ Advertencia !**

Tenga cuidado con las esquinas afiladas.

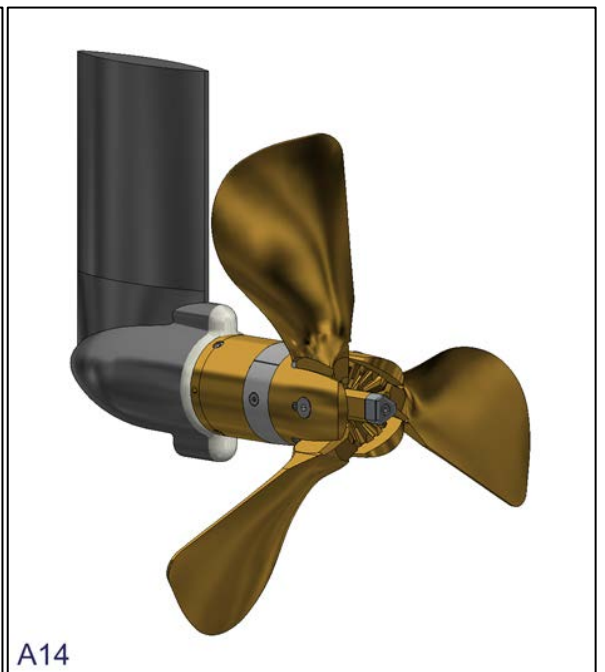
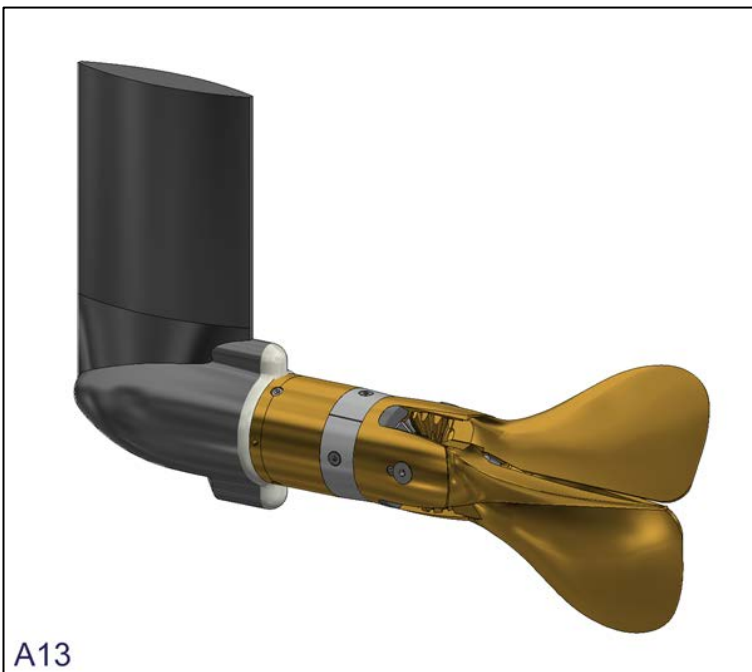
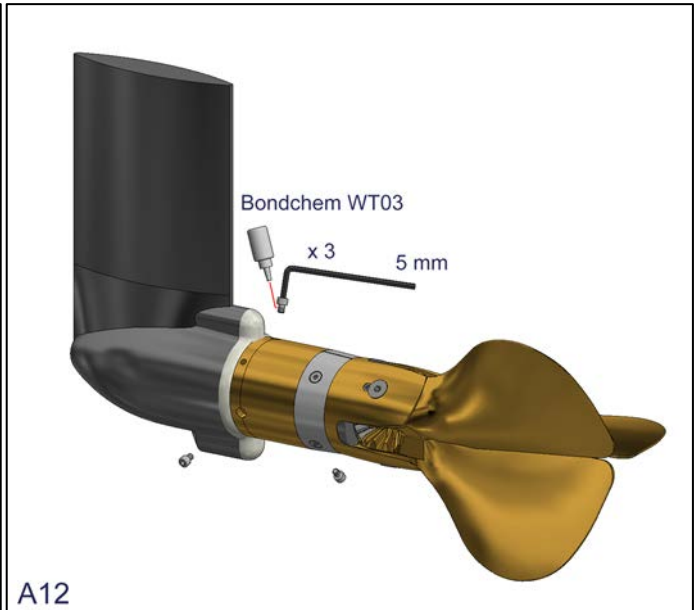
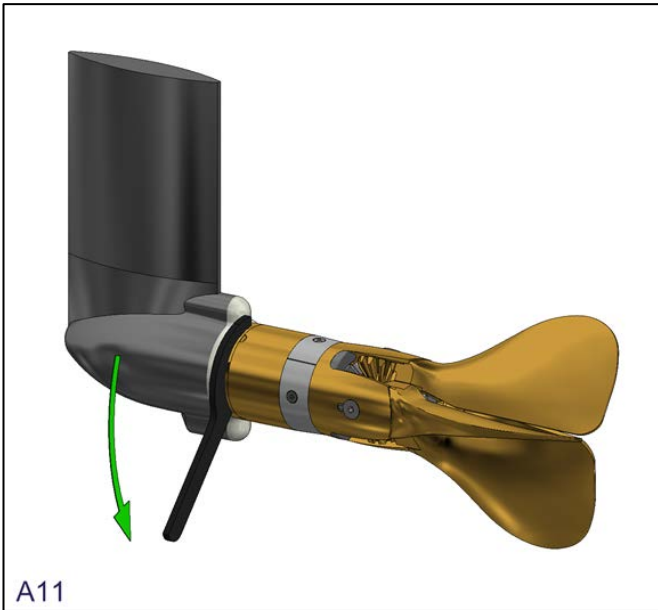
Mounting of a complete propeller for sail drive – (A).



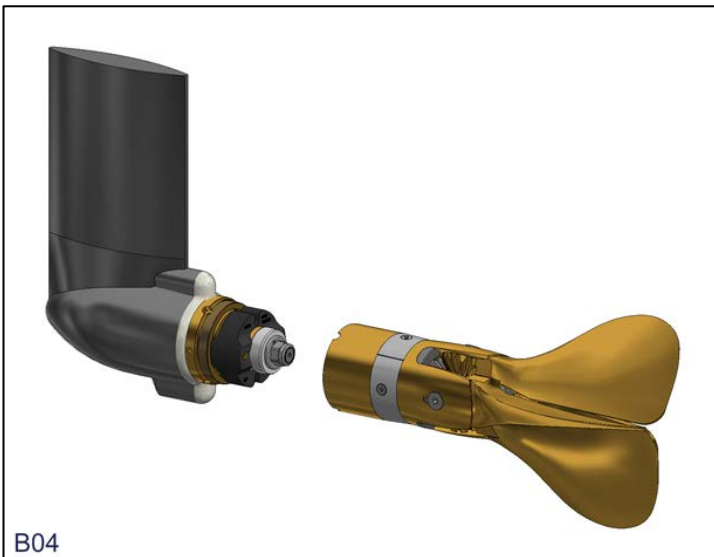
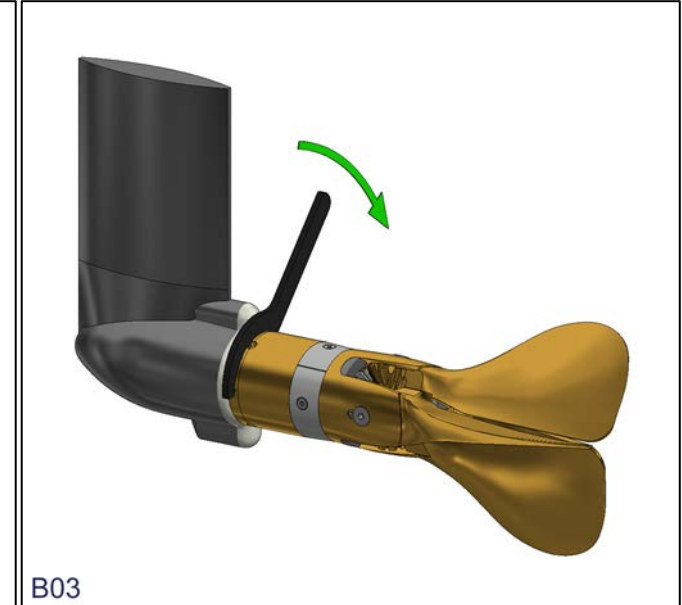
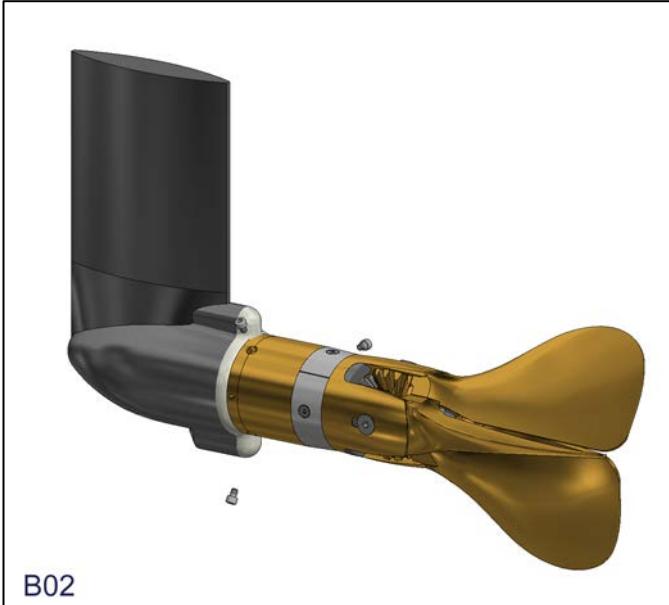
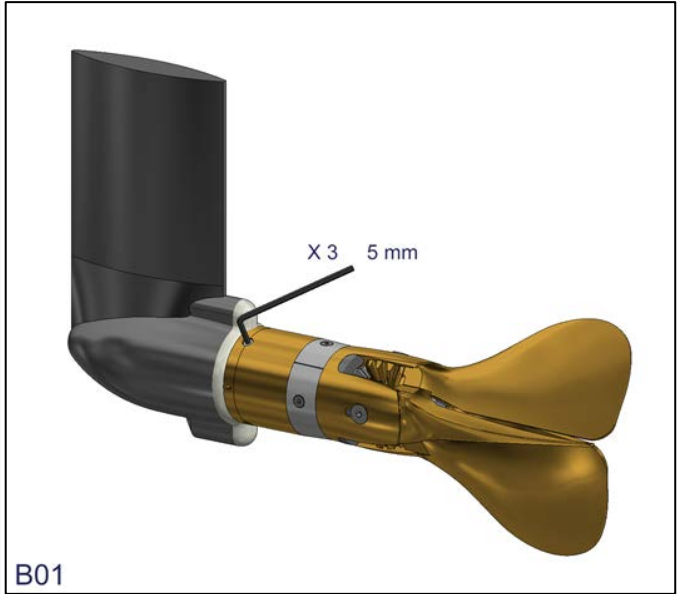
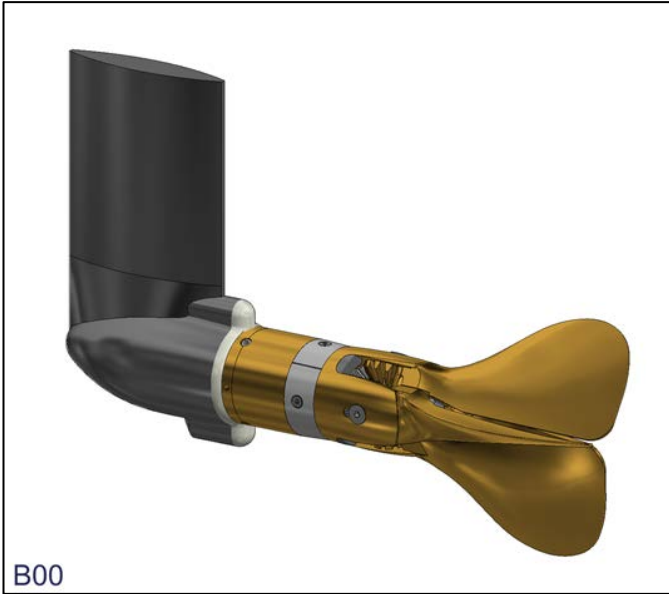
Mounting of a complete propeller for sail drive – (A).



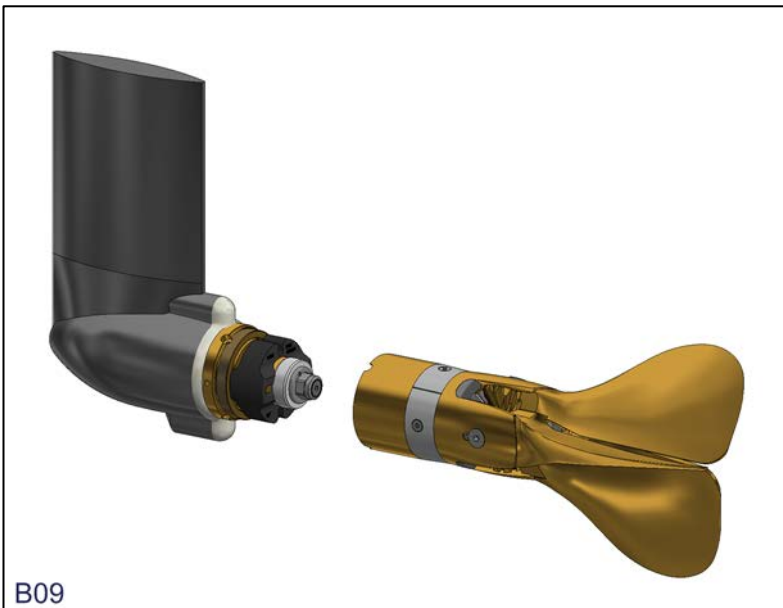
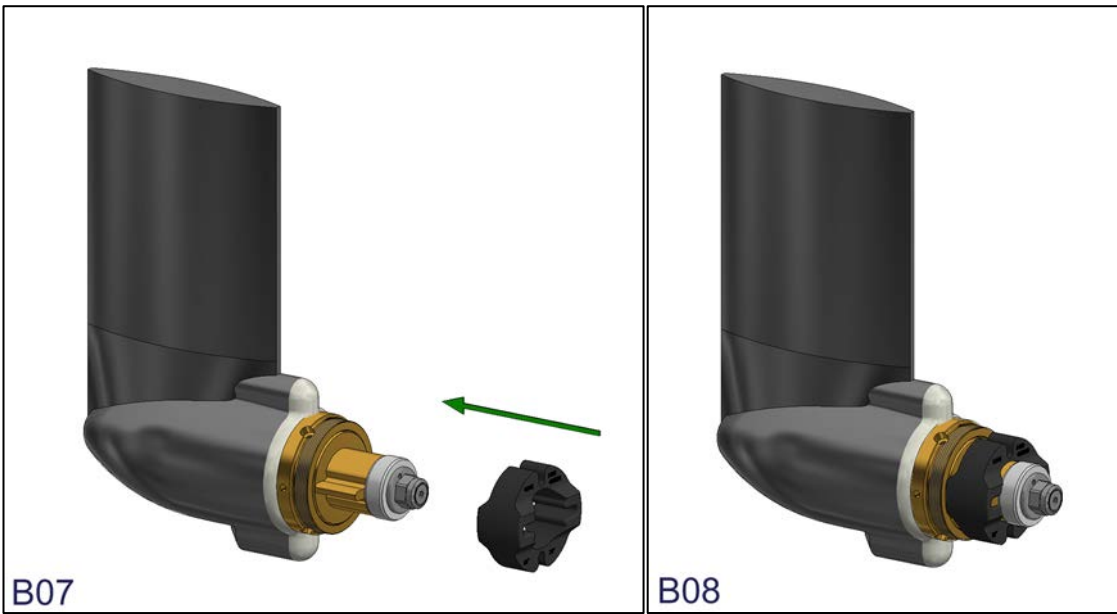
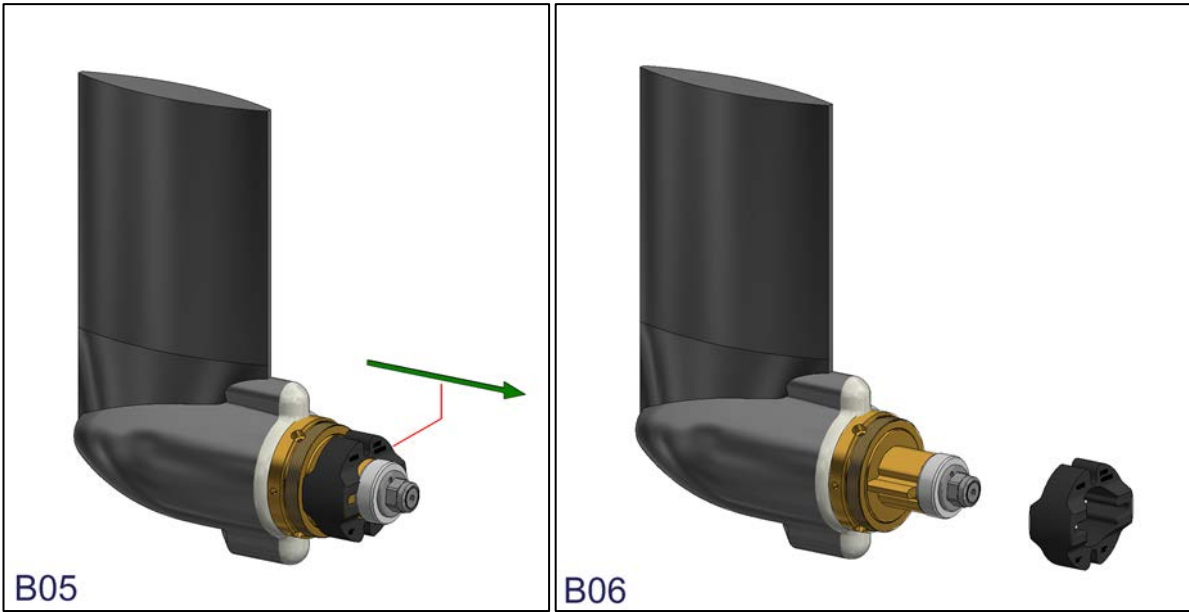
Mounting of a complete propeller for sail drive – (A).



Exchange of "shock-torque absorber" – (B).

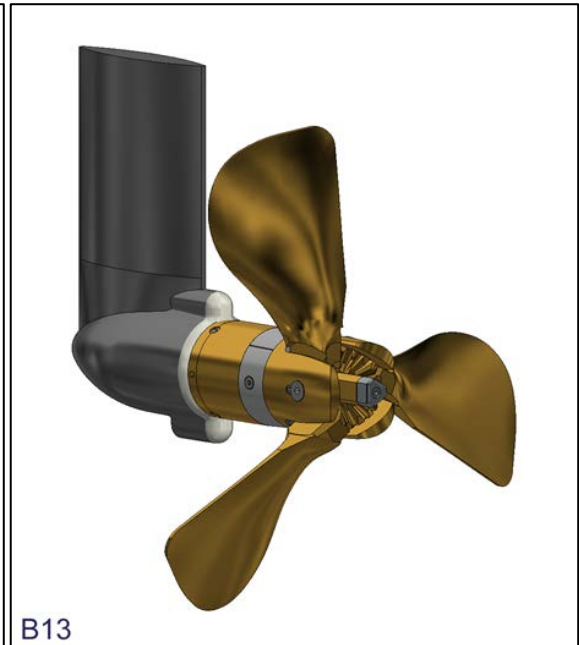
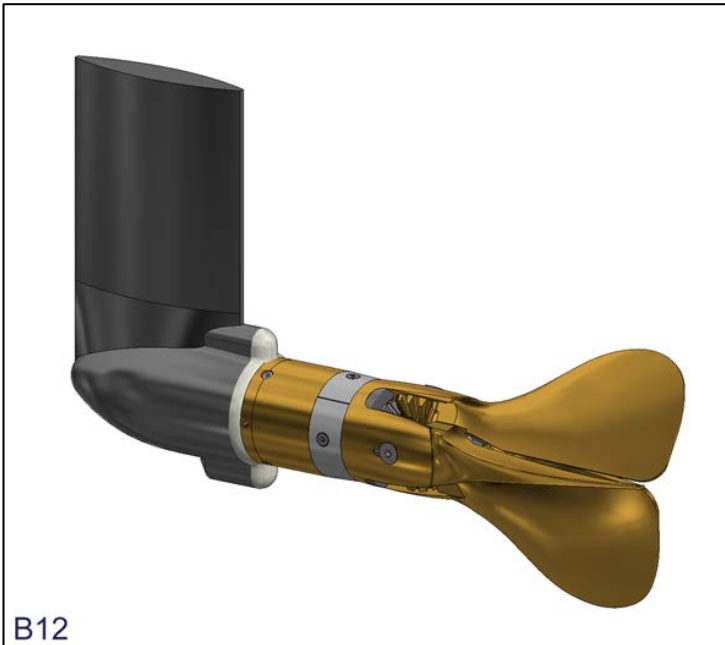
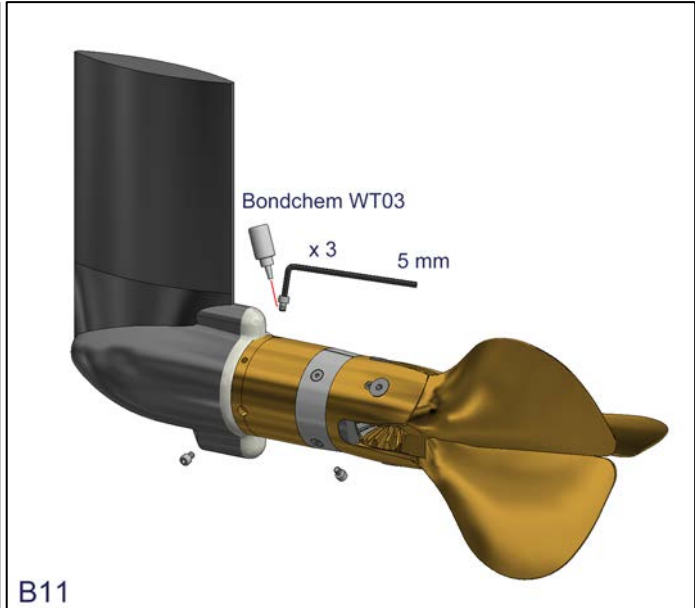
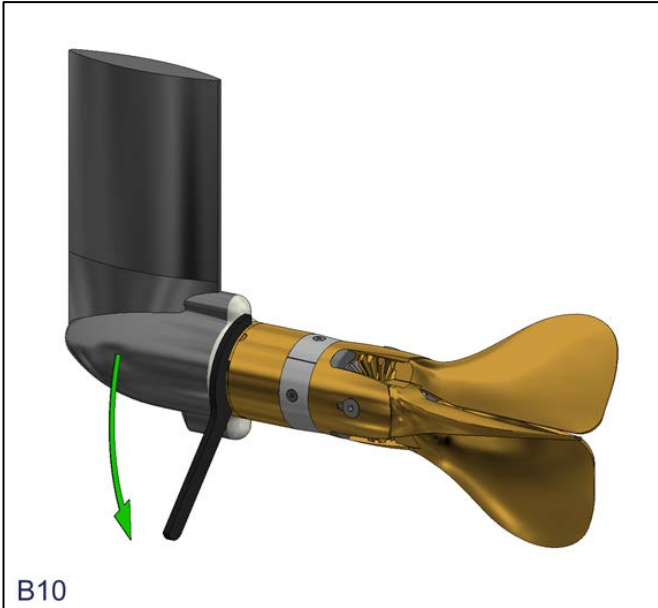


Exchange of "shock-torque absorber" – (B).



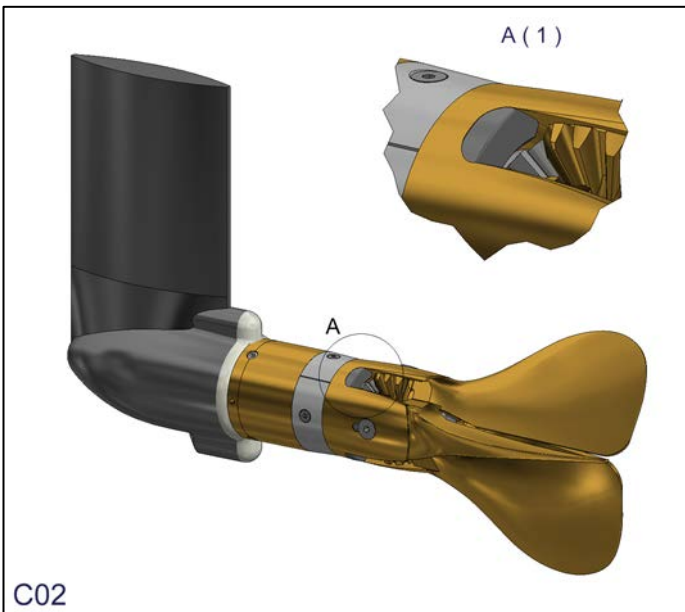
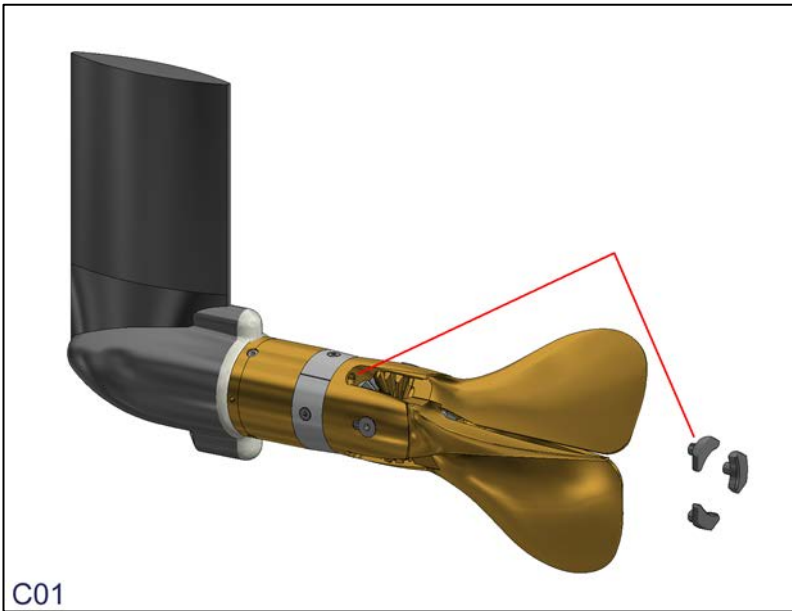
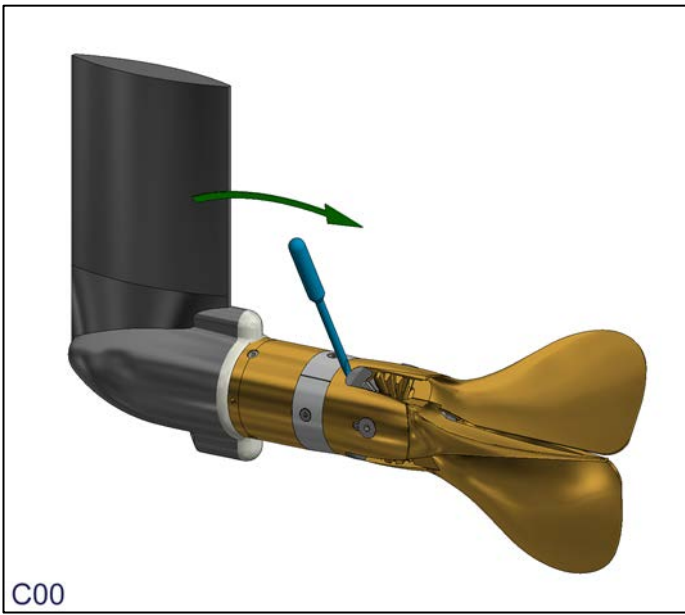


Exchange of “shock-torque absorber” – (B).

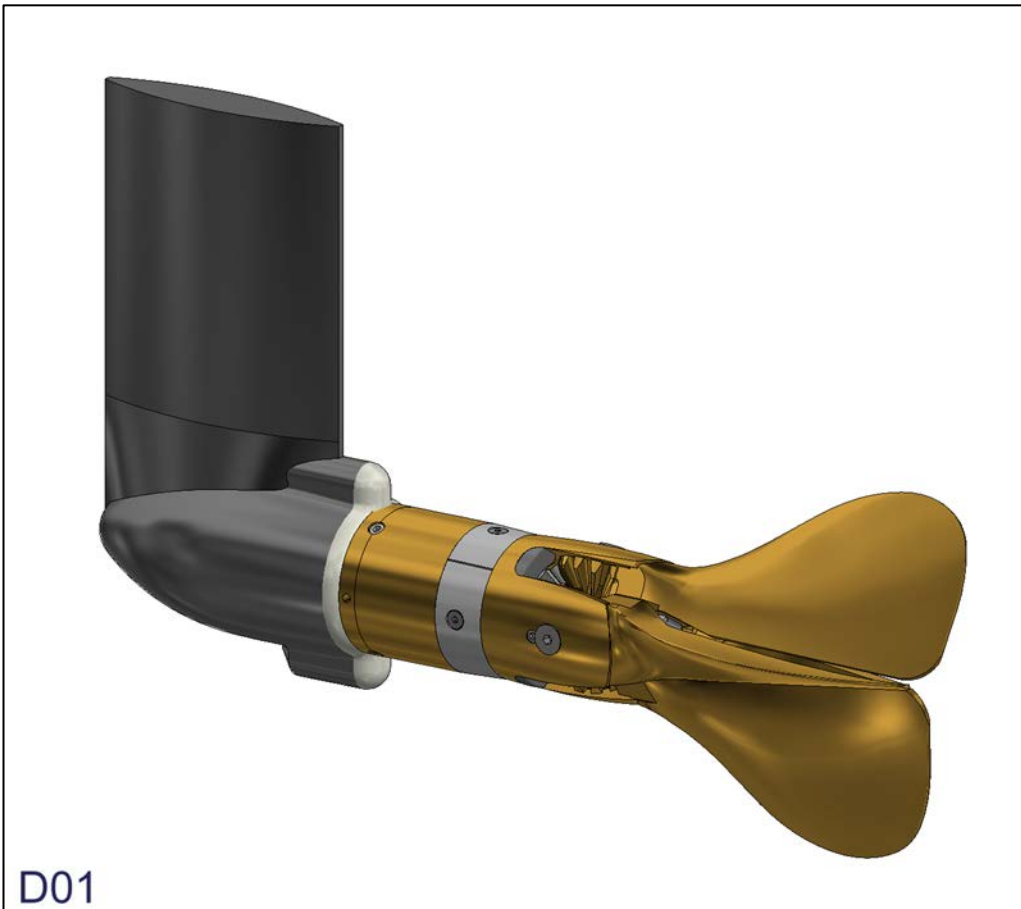
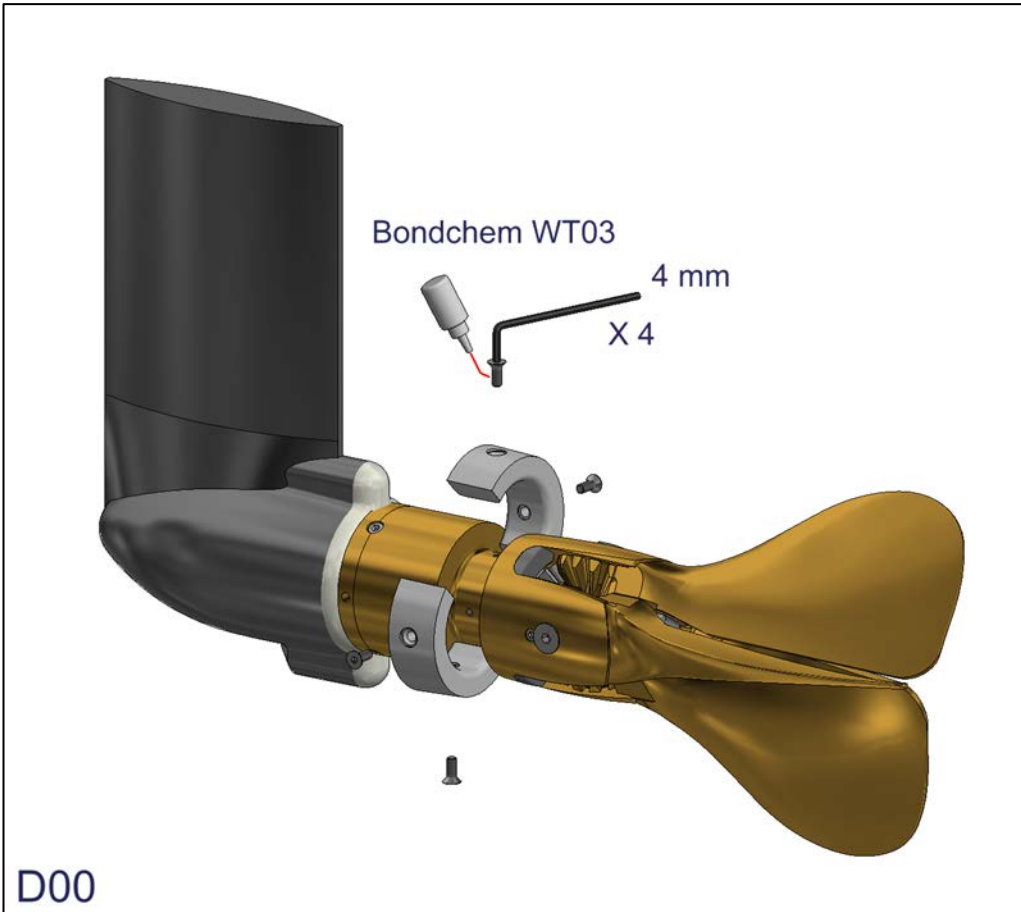




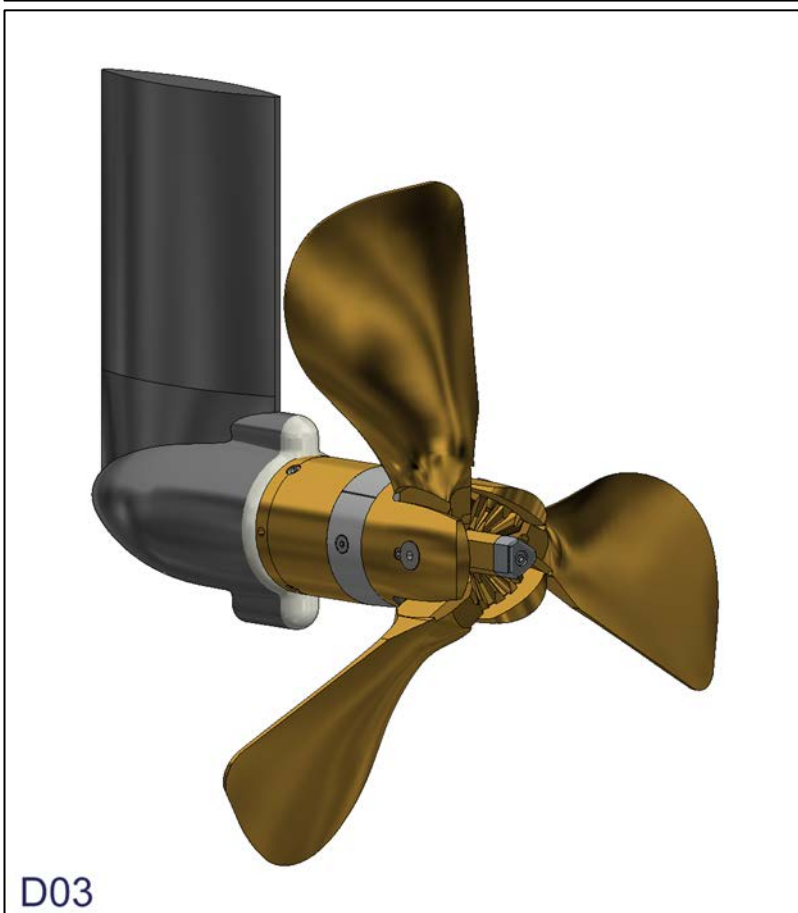
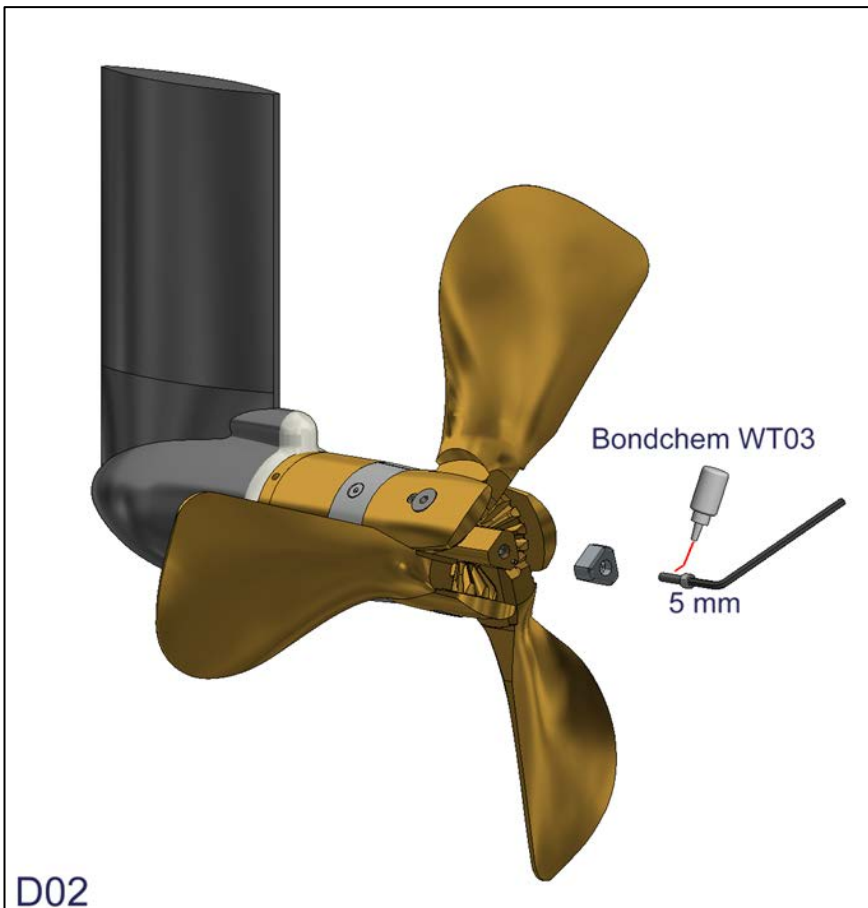
Exchange of “rubber blade stop” – (C).

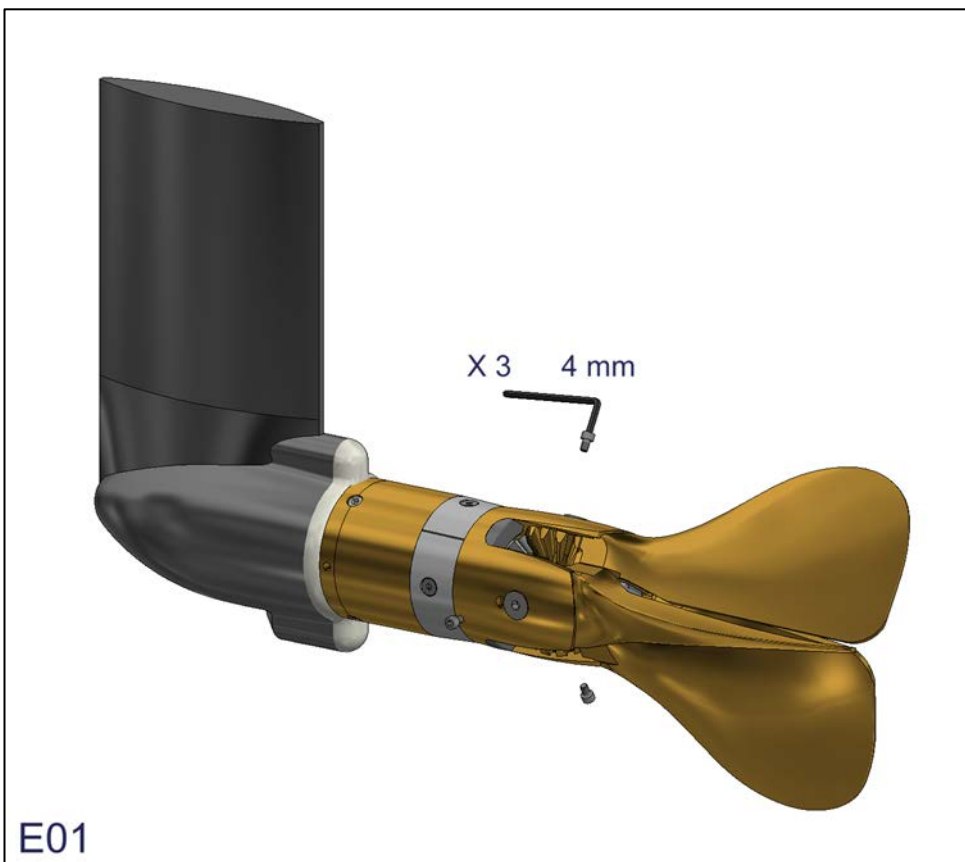
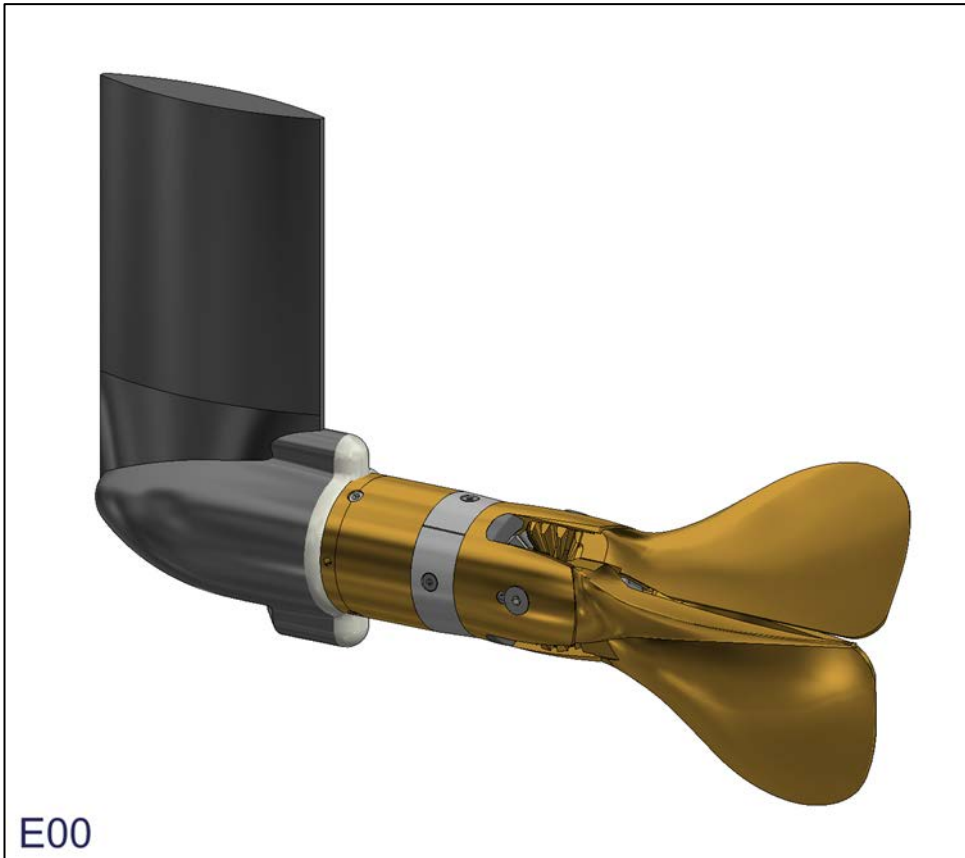


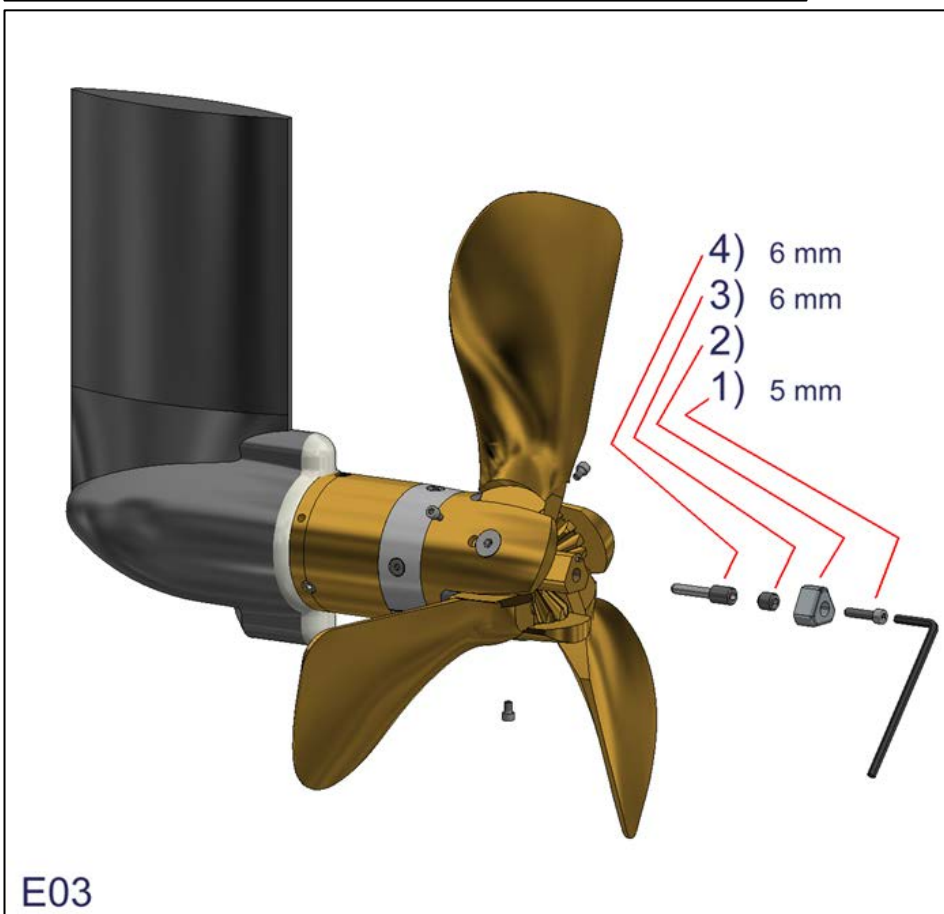
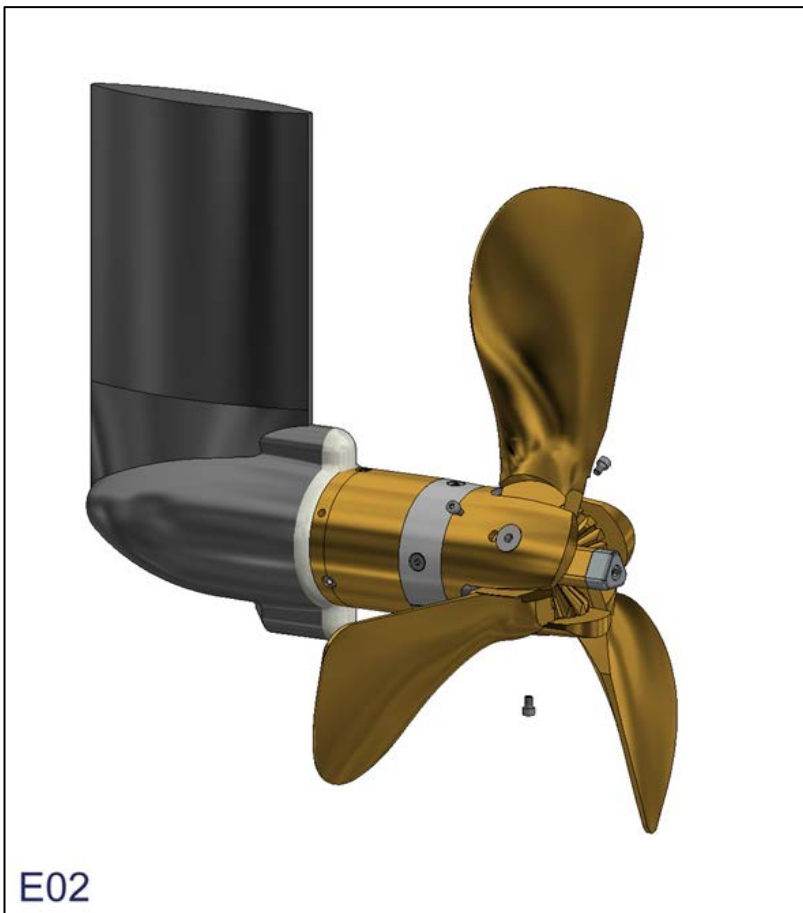
Exchange of “zinc anodes” – (D).

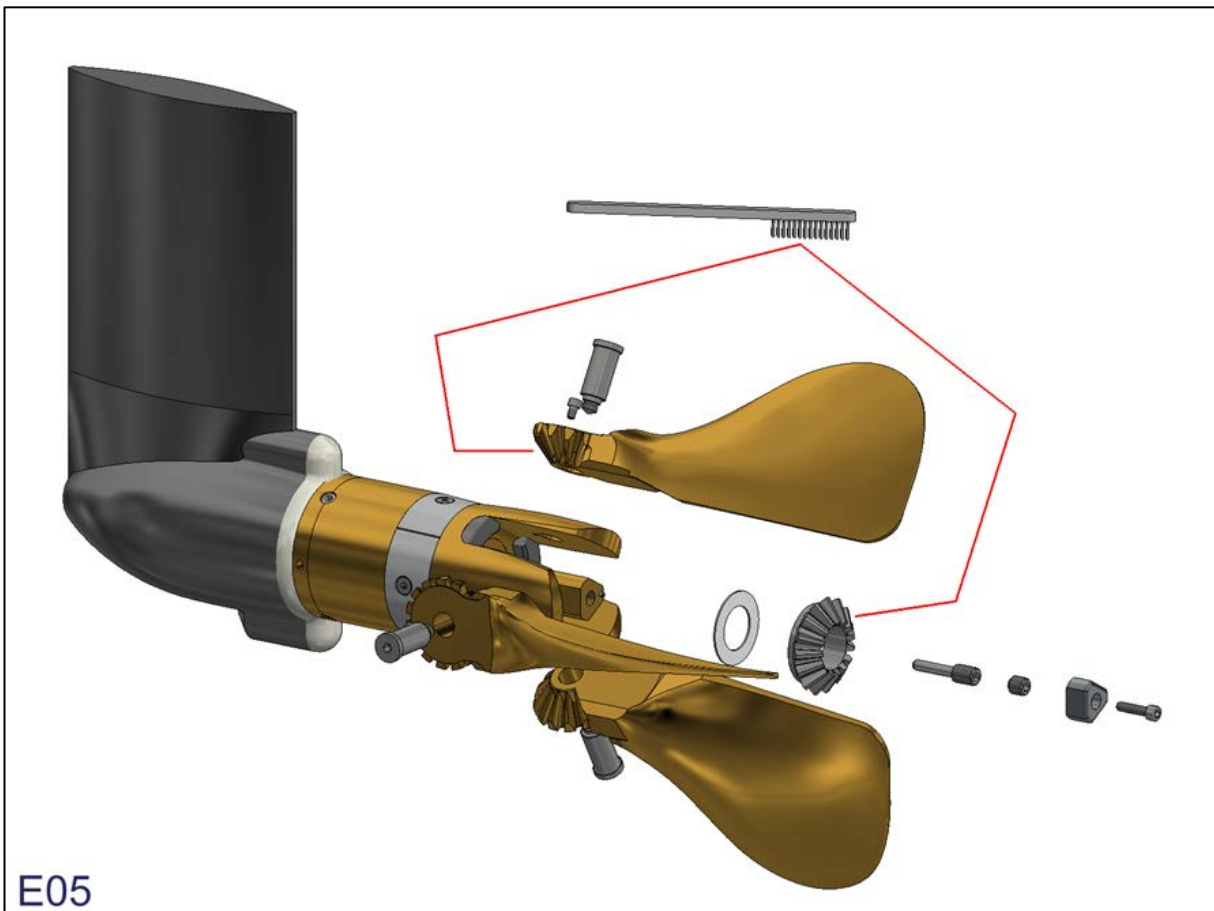
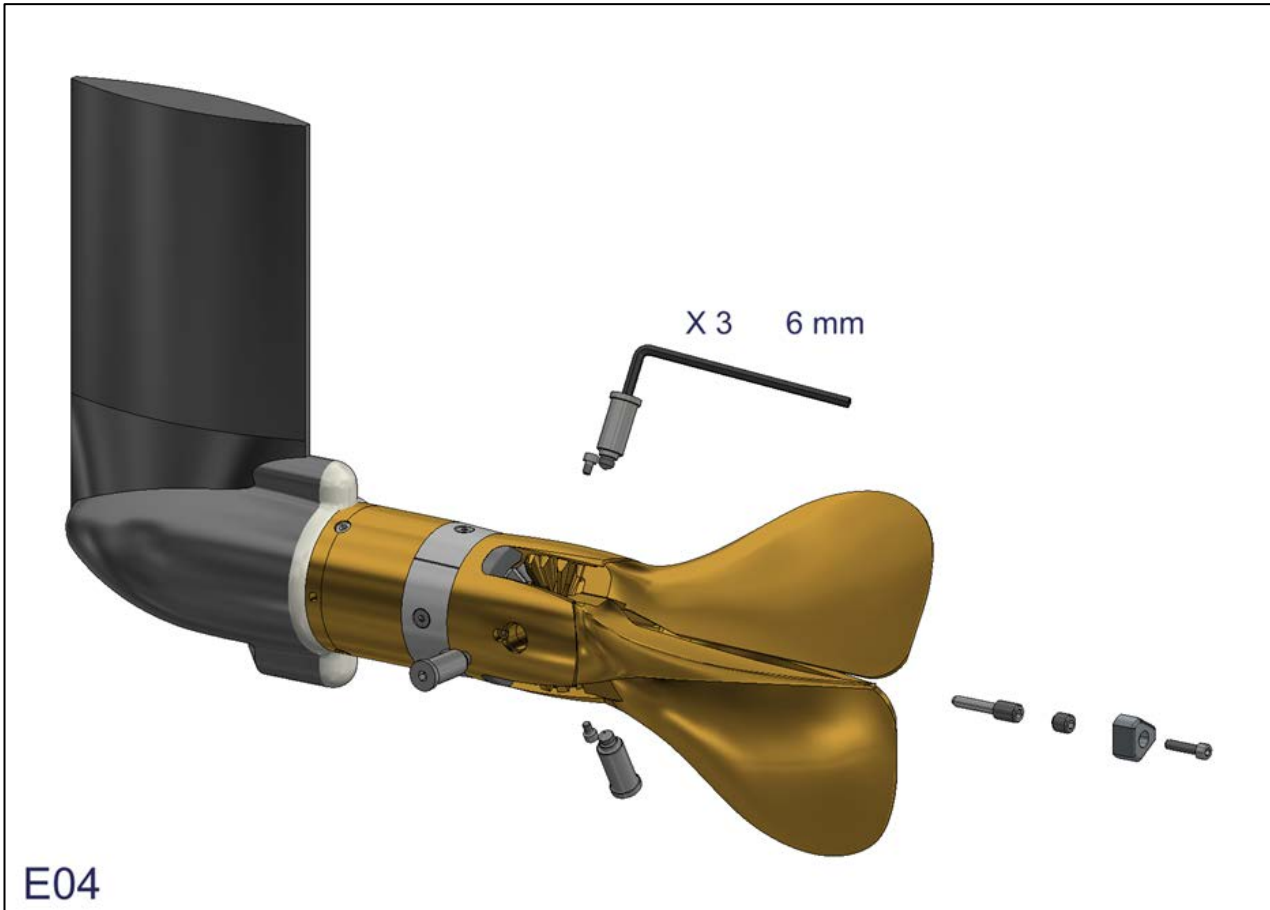


Exchange of “zinc anodes” – (D).

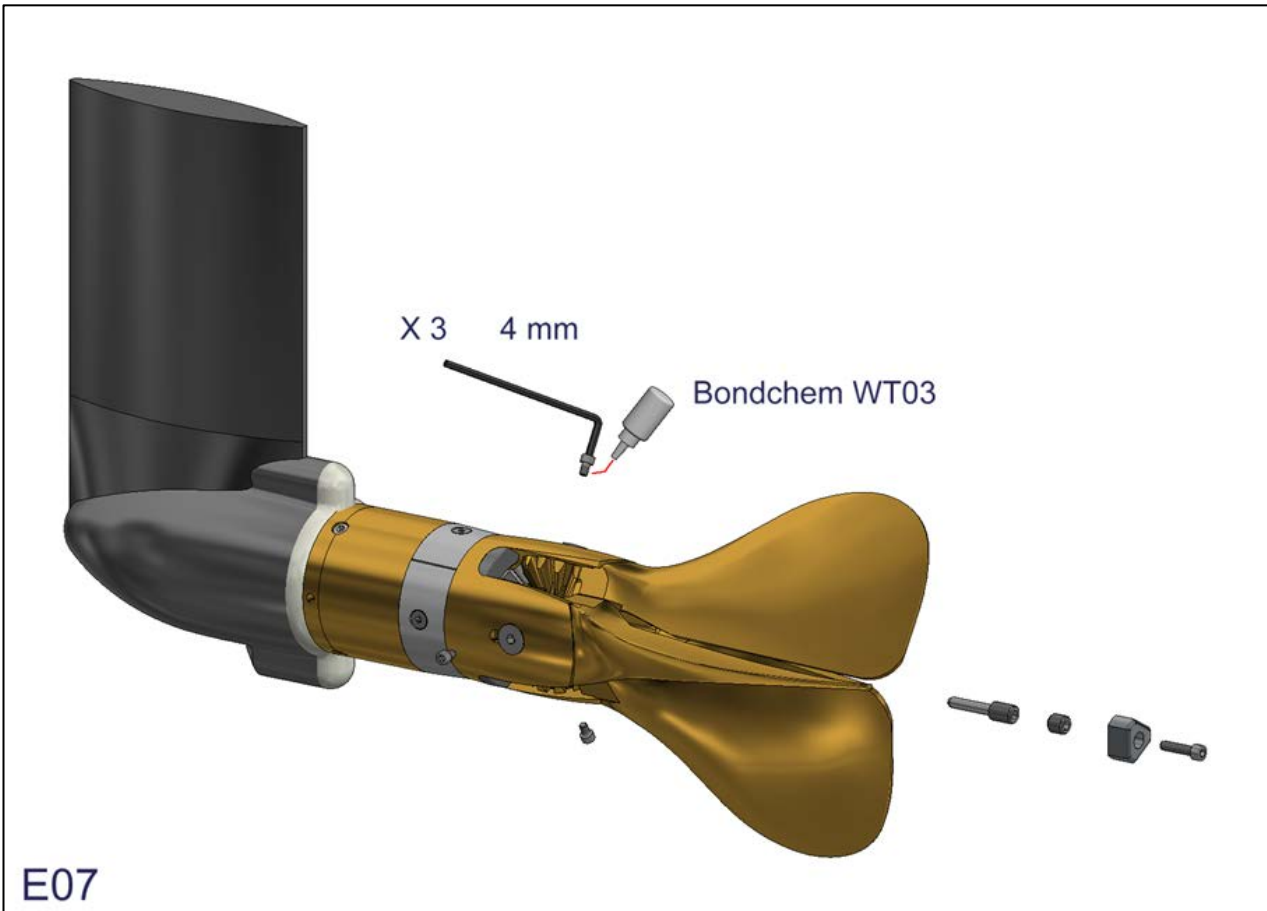
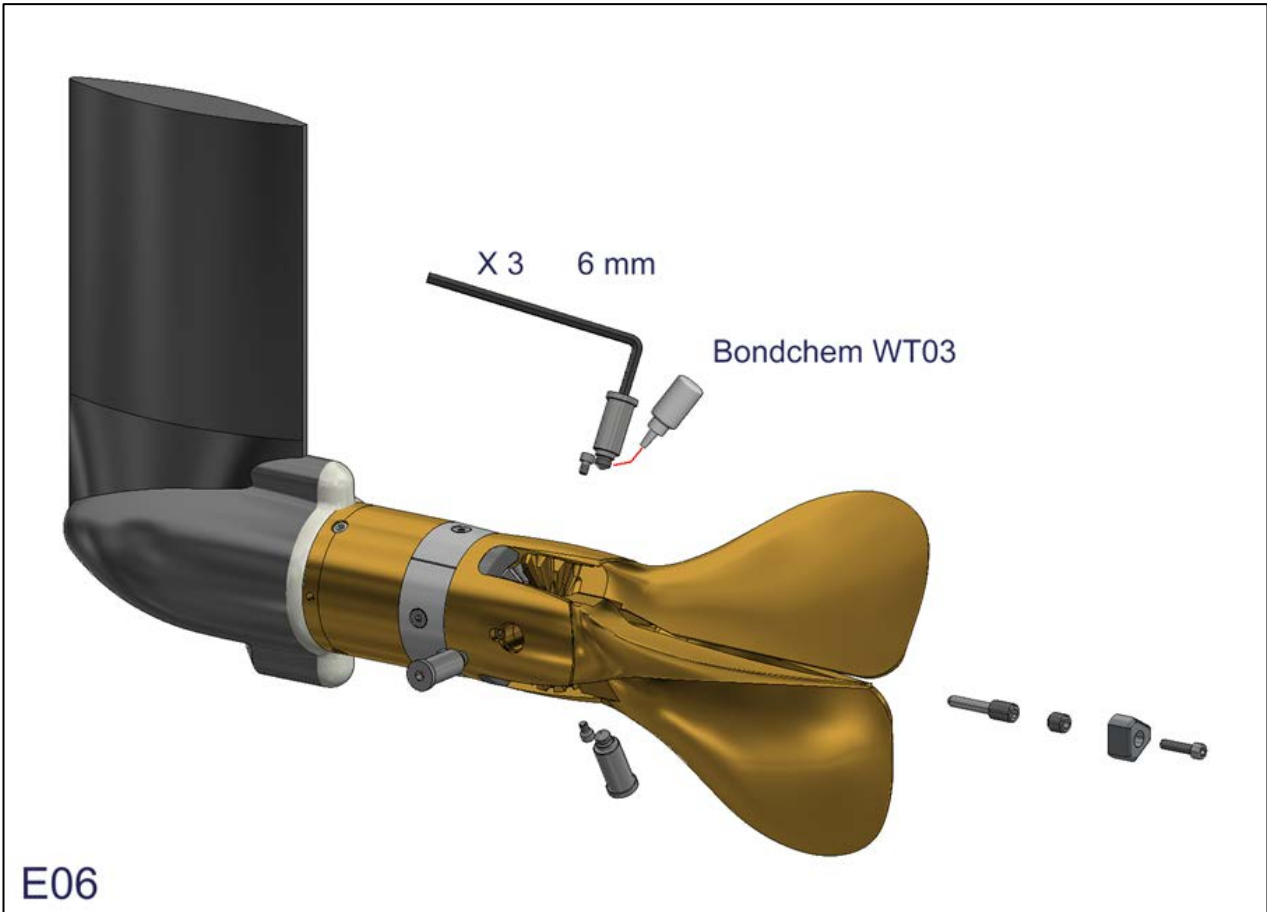






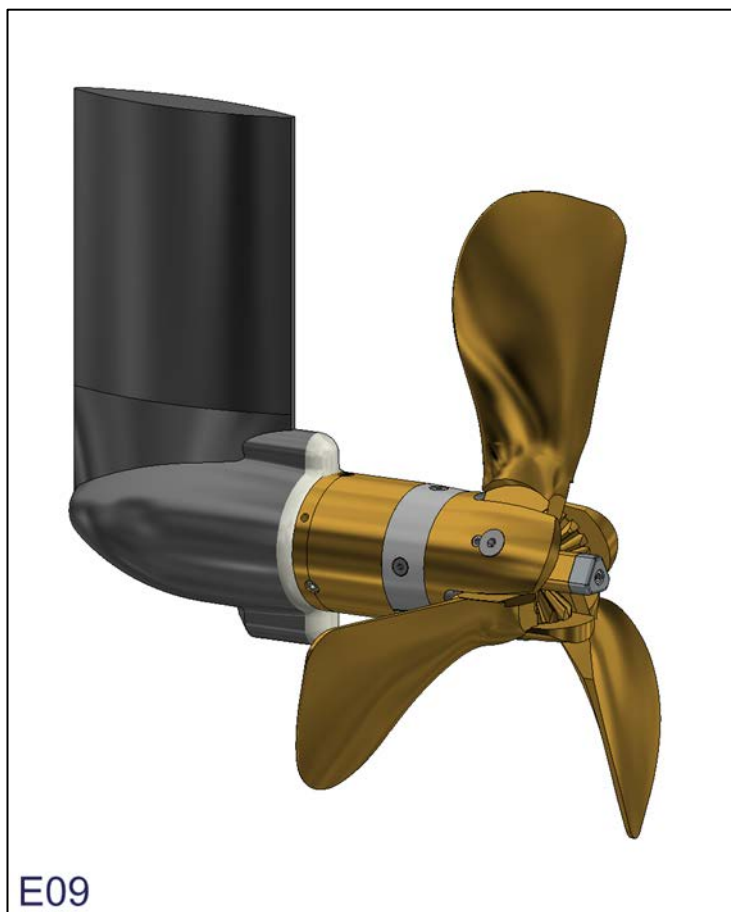
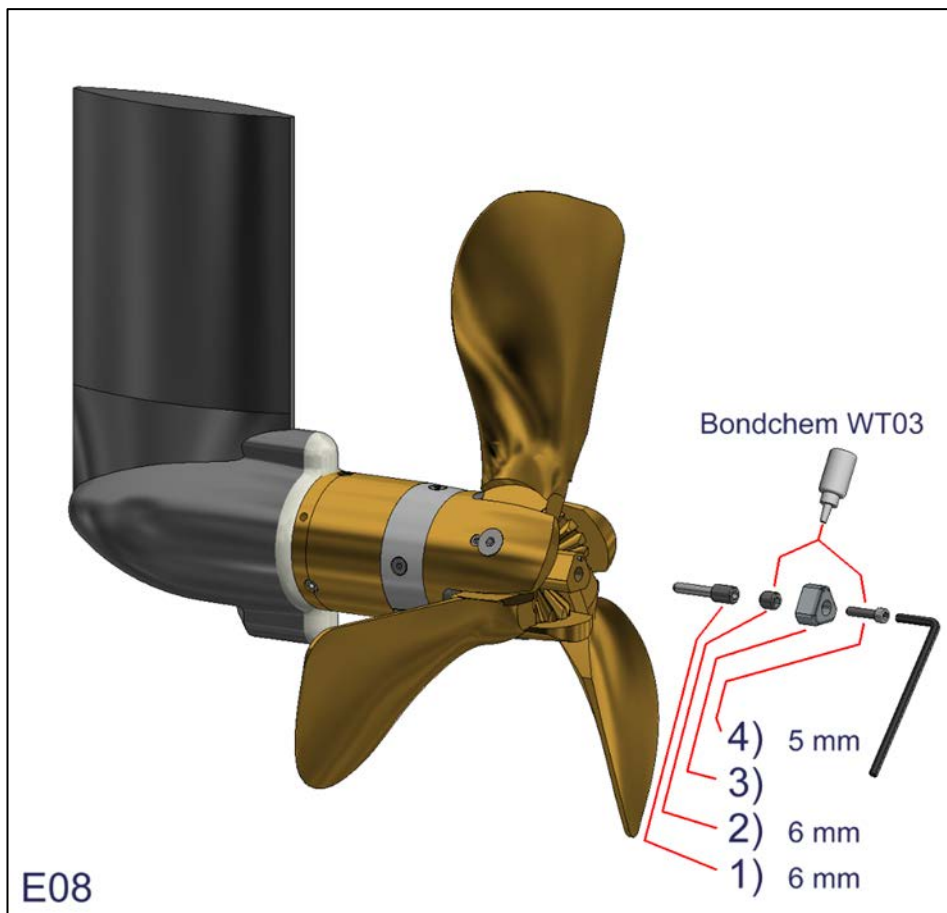


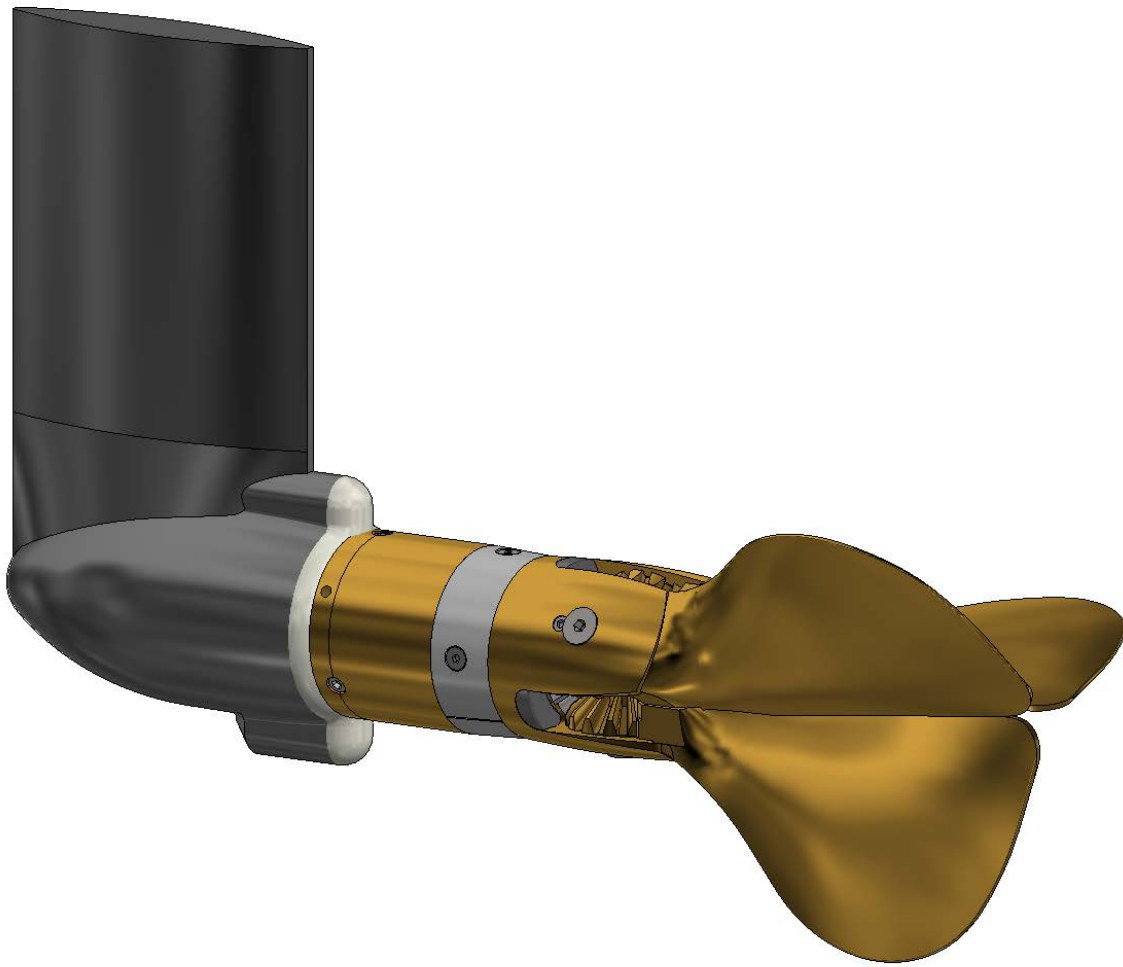






Cleaning of "Gearwheel" – (E).



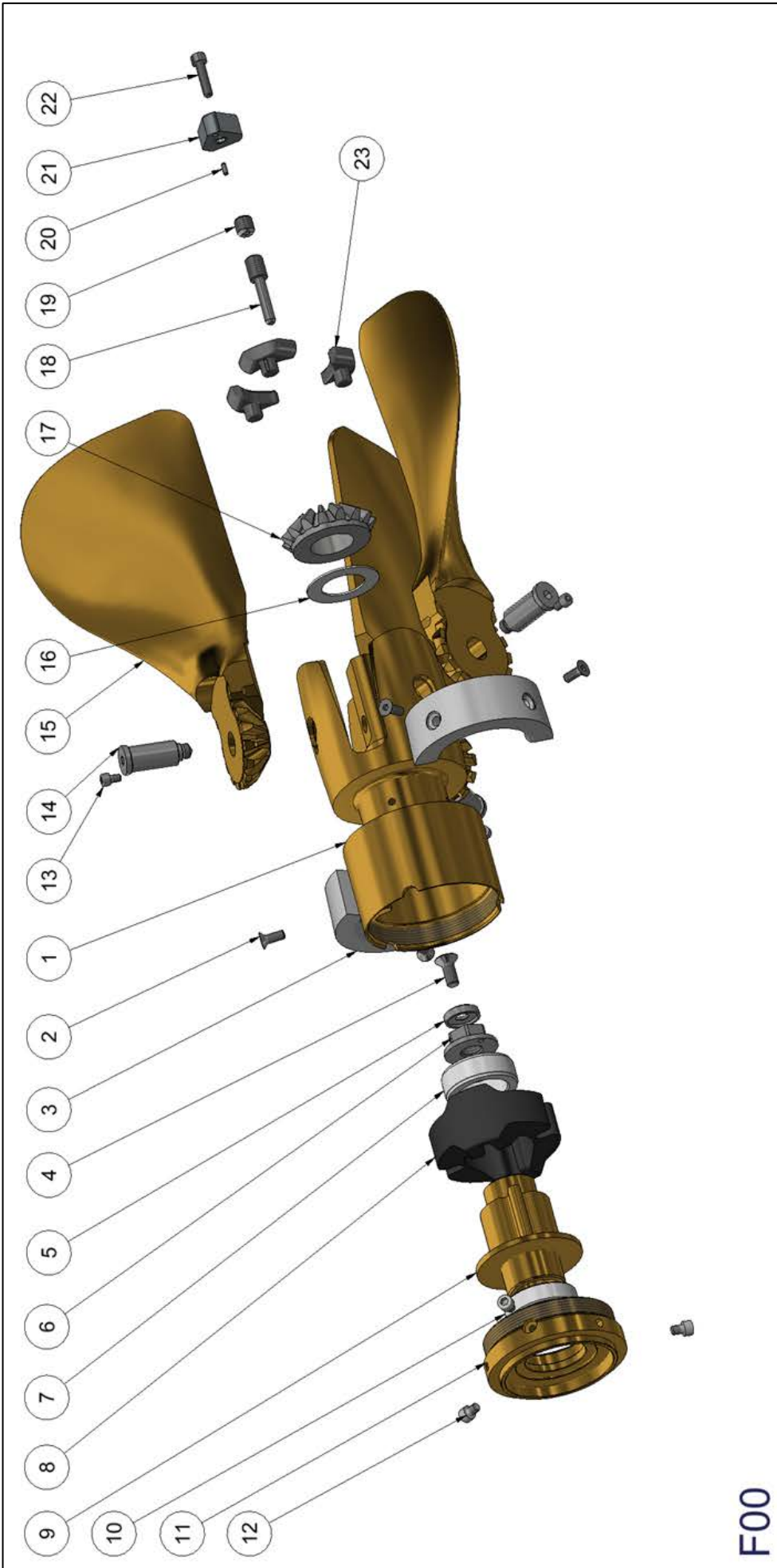


E10

## Spare Parts List – (F).

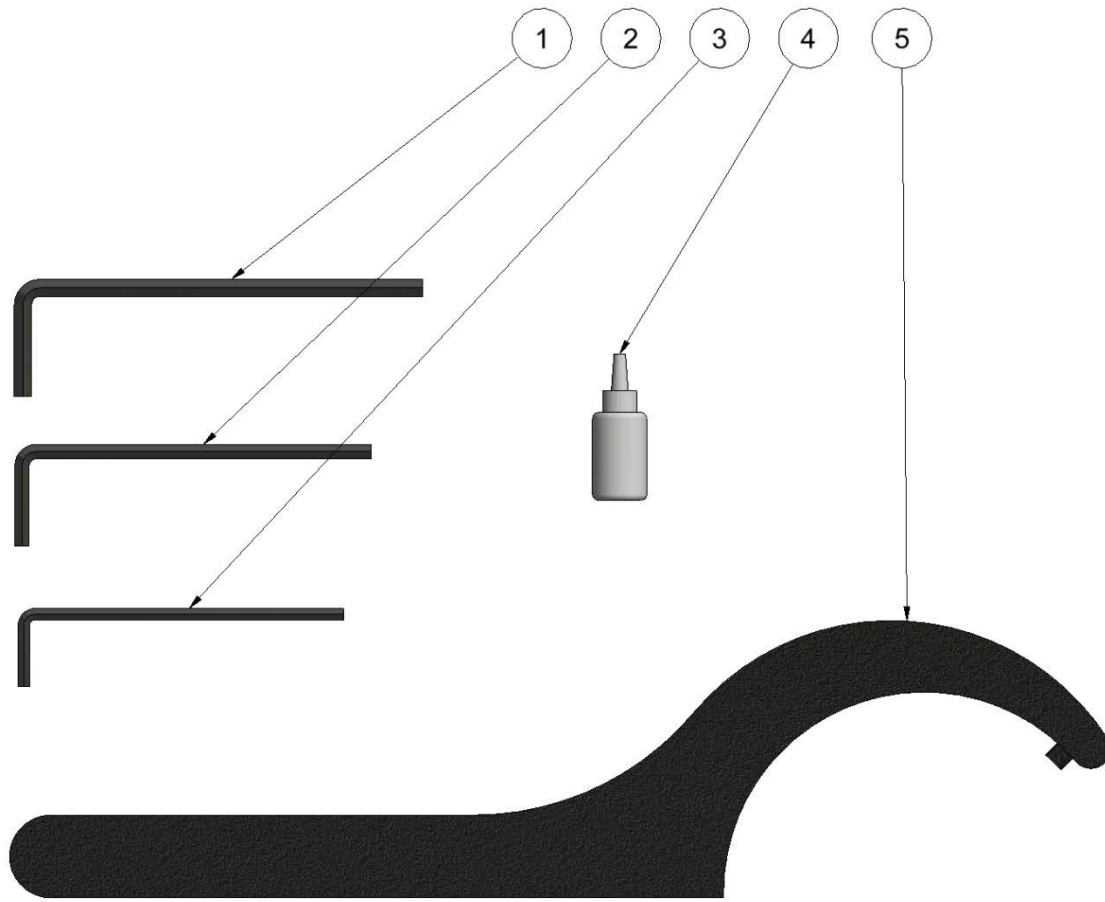
Size: 18" - 20" Overdrive

ITEM	DK	GB	DE	STOCK NUMBER	QTY
1	Ydernav	Blade housing	Nabenoberteil	3500000195	1
2	Undersænket skrue	Flat Countersunk Head	Senkschraube	1179910616	4
2	Undersænket skrue	Flat Countersunk Head	Senkschraube	1179910408	3
3	Zinkanode - ring	Zinc ring anode	Zinkring anode	1510550000	2
4	Undersænket skrue	Flat Countersunk Head	Senkschraube	1179910820	1
6	Skive	Washer	Sheibe	4772120001	1
7	Bøsning 1 til 3-bl. Sejldrev	Bushing	Buchse	1400430000	1
8	Koblings buffer	Shock-torque absorber	Kupplungs Puffer	1400480000	1
9	Indernav	Inner hub	Nabeninnerteil	3400000175	1
10	Bøsning 2 til 3-bl. Sejldrev	Bushing	Buchse	1400440000	1
11	Omløber	nut	Mutter	3300000195	1
11	Møtrik	Nut	Mutter	1441000003	1
12	Skrue - cylindrisk hoved med indiv. 6-ka	Hex Socket Head Screw	Zylinderscherube mit Innensechka	1406800000	3
14	Aksel til propelblade	Blade pins	Führungsbolzen	1512000000	3
15	Propellerblade / 18" x 11" LH	Propeller blades / 18" x 11" LH	Propellerblätter / 18" x 11" LH	3118011002	3
15	Propellerblade / 18" x 12" LH	Propeller blades / 18" x 12" LH	Propellerblätter / 18" x 12" LH	3118012002	3
15	Propellerblade / 18" x 13" LH	Propeller blades / 18" x 13" LH	Propellerblätter / 18" x 13" LH	3118013002	3
15	Propellerblade / 18" x 14" LH	Propeller blades / 18" x 14" LH	Propellerblätter / 18" x 14" LH	3118014002	3
15	Propellerblade / 18" x 15" LH	Propeller blades / 18" x 15" LH	Propellerblätter / 18" x 15" LH	3118015002	3
15	Propellerblade / 18" x 11" RH	Propeller blades / 18" x 11" RH	Propellerblätter / 18" x 11" RH	3118011001	3
15	Propellerblade / 18" x 12" RH	Propeller blades / 18" x 12" RH	Propellerblätter / 18" x 12" RH	3118012001	3
15	Propellerblade / 18" x 13" RH	Propeller blades / 18" x 13" RH	Propellerblätter / 18" x 13" RH	3118013001	3
15	Propellerblade / 18" x 14" RH	Propeller blades / 18" x 14" RH	Propellerblätter / 18" x 14" RH	3118014001	3
15	Propellerblade / 18" x 15" RH	Propeller blades / 18" x 15" RH	Propellerblätter / 18" x 15" RH	3118015001	3
15	Propellerblade / 20" x 13" LH	Propeller blades / 20" x 13" LH	Propellerblätter / 20" x 13" LH	3120013002	3
15	Propellerblade / 20" x 14" LH	Propeller blades / 20" x 14" LH	Propellerblätter / 20" x 14" LH	3120014002	3
15	Propellerblade / 20" x 15" LH	Propeller blades / 20" x 15" LH	Propellerblätter / 20" x 15" LH	3120015002	3
15	Propellerblade / 20" x 16" LH	Propeller blades / 20" x 16" LH	Propellerblätter / 20" x 16" LH	3120016002	3
15	Propellerblade / 20" x 13" RH	Propeller blades / 20" x 13" RH	Propellerblätter / 20" x 13" RH	3120013001	3
15	Propellerblade / 20" x 14" RH	Propeller blades / 20" x 14" RH	Propellerblätter / 20" x 14" RH	3120014001	3
15	Propellerblade / 20" x 15" RH	Propeller blades / 20" x 15" RH	Propellerblätter / 20" x 15" RH	3120015001	3
15	Propellerblade / 20" x 16" RH	Propeller blades / 20" x 16" RH	Propellerblätter / 20" x 16" RH	3120016001	3
16	Afstandsskive	Spacer	Abstandshalter	1403400000	1
17	Tandhjul	Gear-wheel	Zahnrad	1407100000	1
18	Låsebolt for aksel - 75	Locking pin	Haltebolzen	1447000000	1
19	Pinolskrue M12 / M6	Hex Socket set screw M12 / M6	Gewindestift M12 / M6	1400700000	1
20	Cylinderstift	Parallel Pin	Zylinderstift	1406600000	1
21	Zinkanode - top	Zinc anode	Zink anode	1407300000	1
22	Skrue - cylindrisk hoved med indiv. 6-ka	Hex Socket Head Screw	Zylinderscherube mit Innensechka	1407000625	1
23	Gummistopper	Rubber stop	Gummianschläge	1407500000	3



F00

## Supplied Tools – (G)



18" – 20"

ITEM	DK	GB	DE	STOCK NUMBER
1	Umbracnøgle - 6 mm	Allen key - 6 mm	Inbusschlüssel - 6 mm	1402200000
2	Umbracnøgle - 5 mm	Allen key - 5 mm	Inbusschlüssel - 5 mm	1402100000
3	Umbracnøgle - 4 mm	Allen key - 4 mm	Inbusschlüssel - 4 mm	1402000000
4	Låselim	Locking glue	Leim	1410000000
5	Aftrækker	Puller	Abzieher	1527000000
6	Hagenøgle 95 - 100	C-Spanner 95 - 100	Hagenschlüssel 95 - 100	1406700000

Gori propeller AS

Fjordagervej 34-36

DK-6100 Haderslev

[www.gori-propeller.dk](http://www.gori-propeller.dk)