

SONIC SAIL DRIVES

Mk II

THRO' HULL DIRECT DRIVES

FOR USE WITH STANDARD MARINE ENGINE & GEARBOX UP TO

22KW/30HP DIESEL. SAE.

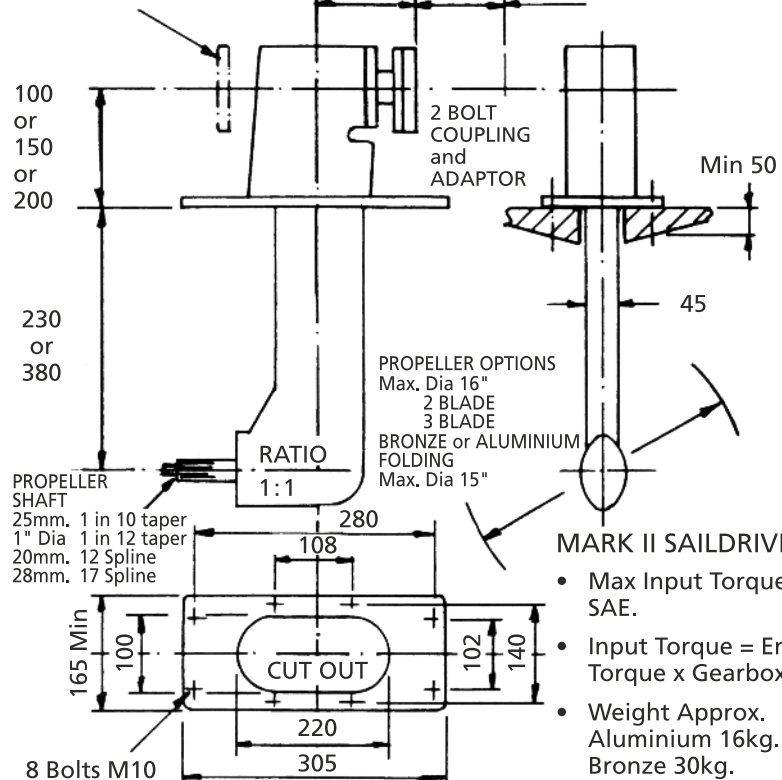
37KW/50HP PETROL. SAE.

SUBJECT TO MAXIMUM INPUT TORQUE 11kg Mtr/80Lbs Ft.

- Optional Bronze or Aluminium lower unit
- Inbuilt shear pin easily replaced
- Choice of Engine
- Reversed Rotation available
- Choice of propeller types
- G.R.P. base not essential
- Choice of Lengths
- Anode Protection
- Choice of mounting position
- Simple to install
- Choice of propeller shafts, - 12 or 17 spline, 1" or 25mm taper
- Spiral bevel Nickel Alloy gears
- No rubber diaphragm
- This Sail Drive has been designed to bolt through the hull, either on a reinforced pad or to a GRP base. The engine is flexibly mounted and coupled.



OPTIONAL POSITION FOR INPUT FLANGE 118 105 FACE OF GEARBOX FLANGE



- Max Input Torque 11kg Mtr. 80Lbs Ft. SAE.
- Input Torque = Engine Torque x Gearbox Ratio.
- Weight Approx. Aluminium 16kg. Bronze 30kg.

Due to continual development Sillette Limited reserve the right to alter, modify or replace any specification or design feature without prior notice.

Before ordering please check the suitability of your application in writing either through your importer or directly with Sillette Limited.

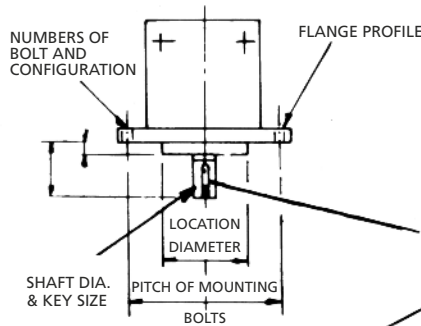
SONIC SAIL DRIVES Mk II

- FOR USE AS BOW THRUSTER SAIL DRIVE CRUISER DRIVE
- TRANSMITS UP TO 37KW / 50 HP SAE.
Subject to maximum Input Torque
11kg Mtr / 80 Lbs Ft.
- STANDARD MODELS COUPLE WITH VOLVO HYDRAULIC MOTORS NOS. F11-10, 19, 28 OR 39 SPECIALS AVAILABLE ALSO FOR ELECTRIC POWER



- Optional Bronze or Aluminium lower unit
- Choice of Engine & Ratio
- Choice of propeller types
- Anode protection
- Choice of Lengths
- Choice of propeller shaft -12 or 17 spline, 1" or 25mm taper
- Spiral bevel Nickel Alloy gears.
- This hydraulic powered Sail Drive has been designed to bolt through the hull, either on a reinforced pad or to a G.R.P. base.
Alternatively it can be bolted into a bow thruster tube.

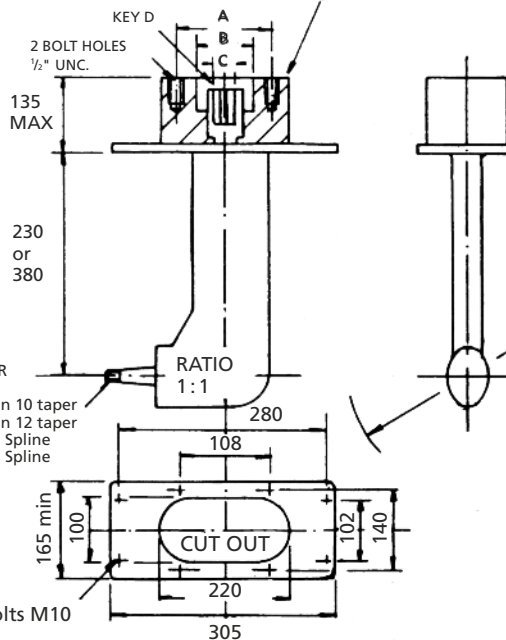
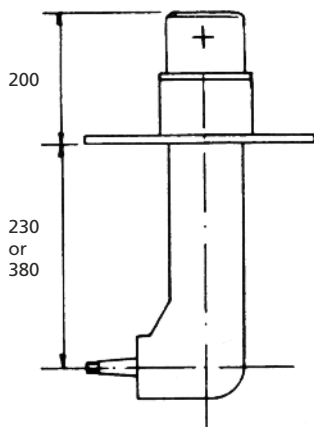
MK II SAIL DRIVE OR BOW THRUSTER UNIT COMPLETE WITH HYDRAULIC MOTOR
CAPACITY 26.5cc per revolution
Power at Motor 3.5KW / 4.5HP per 1000 r.p.m.
Max. Pressure 140 BAR
Max. Torque 5kg Mtr / 36 Lbs Ft.



MK II HYDRAULIC POWERED DRIVE

- Max. Input Torque 11kg Mtr/80 Lbs Ft.
i.e. Torque Lbs Ft = $\frac{H.P. \times 33000}{6.3 \times RPM}$
- Dry Weight approx. 14kg Aluminium
27kg Bronze
- Non Standard Motor Detail Required
- Std. Motor F11-10 19 28 39

A	125	140	146	180
B	100	112	101.6	140
C	20	25	25	35
D	6	8	8	10



PROPELLER OPTIONS
Max. Dia 16"
2 BLADE
3 BLADE
BRONZE or ALUMINIUM
FOLDING
Max. Dia 15"

ALL MODELS
Due to continual development Sillette Limited reserve the right to alter, modify or replace any specification or design feature without prior notice.

Before ordering please check the suitability of your application in writing either through your importer or directly with Sillette Ltd.

AN EXTENSIVE RANGE OF PROPELLERS, COUPLINGS ADAPTORS, SPARE PARTS, MORSE TELEFLEX CONTROLS, MARINIZING & FITTING OUT EQUIPMENT AVAILABLE.

- WORLDWIDE MAIL ORDER SERVICE -

ALSO AVAILABLE - 3 STERN DRIVES
SONIC SAIL DRIVES - F.N.R. MODEL
SONIC CATAMARAN DRIVES - 4 MODELS
REDUCTION GEARBOXES
ONBOARD SERVICE KITS/TOOLS