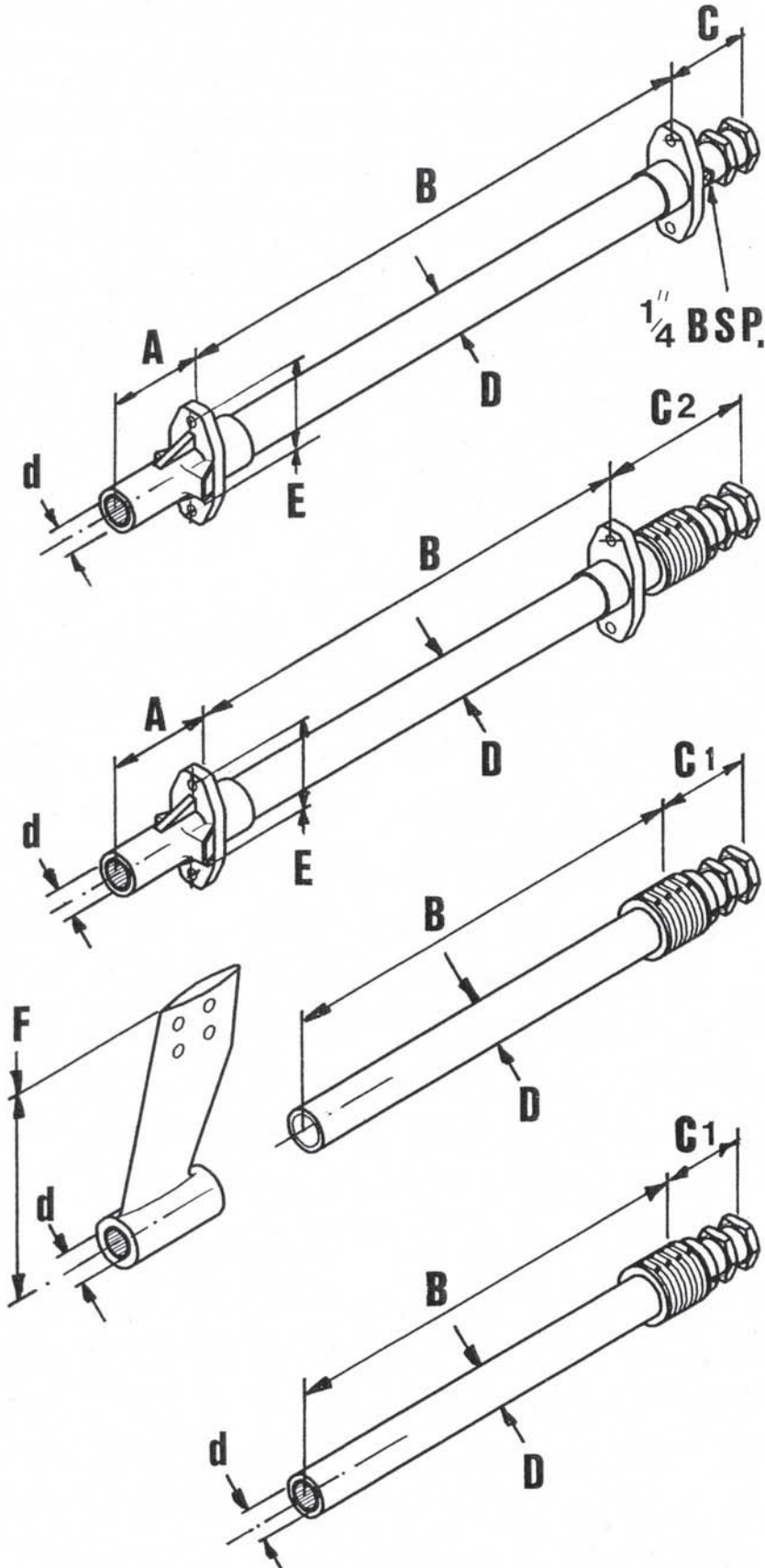


HOW TO ORDER YOUR STERN TUBE ASSEMBLY

1. Select the stern tube assembly from types 1, 3, 4 & 5.
2. Specify shaft diameter 'd'.
3. Specify length 'B'.
4. Specify length 'A' if different to standard, see table on page 3.
5. Specify PSS seal, Tides Marine seal or traditional type gland as drawn below.

Please note dimensions C, C1 and C2 are for guidance only and relate to traditional type gland.
See page 17 for PSS seal dimensions.



TYPE 1

Water scoop outboard bearing, brass tube, fixed flange inboard, nut type traditional gland.
(Stud type over 1 3/8" 135mm)

TYPE 3

Water scoop outboard bearing, brass tube, inboard mounting flange, flexible inboard bearing, nut type traditional gland. PSS seal or Tides Marine seal
(Stud type over 1 3/8" 135mm)

TYPE 4

Plain Epoxy Glass tube & flexible nut type traditional gland or PSS seal or Tides Marine seal.
(Stud type over 1 3/8" 135mm)
'P' Strut and cutless bearing (see separate listing for further detail) can be used with 'A' bracket etc.

TYPE 5

Epoxy Glass tube with cutless bearing outboard, flexible inboard bearing and nut type traditional gland or PSS seal or Tides Marine seal.
(Stud type over 1 3/8" 35mm)

STERN TUBE ASSEMBLIES

Lake stern tube assemblies are available to suit shafts from 7/8"/22mm to 1 3/4"/45mm diameter, listed below are sizes to 1 3/4"/45mm. Larger sizes quoted against specific enquiry. Stern and gland bearing housings are cast in gunmetal to ensure good corrosion resistance; and come complete with cutless bearings and gland packing. Length 'B' to suit your requirements. We also list options with PSS seal and Tides Marine Seal (further detail within the catalogue) instead of the traditional style flexi stuffing gland inboard. Dimensions given below are for guidance only and may vary. Confirm when ordering any critical dimension on your installation. Customised sterngear quoted on receipt of detail.

| TYPE 1 | | | | | | | | | | With traditional type stuffing gland 'B' Dimension at 12" - 305mm | | | 'B' Dimension Extra per 12" - 305mm |
|---------------------------|-----------------|-----------|-----|------------|--------------|--|--------|--|--|---|-------------------------------------|-------------------------|--|
| for Shaft diameter 'd' | | A | C | D | E | | | | | | | | |
| 7/8" | 22 mm | 4 1/2" | 114 | 3 1/4" 84 | 1 1/2" 38 | 4" | 102 | | | £535.00 | | | £30.00 |
| 1" | 25 mm | 5" | 125 | 3 1/4" 84 | 1 1/2" 38 | 4" | 102 | | | £550.00 | | | £30.00 |
| 1 1/8" | | 5 1/4" | 135 | 3 1/4" 84 | 1 3/4" 45 | 4" | 102 | | | £570.00 | | | £35.00 |
| 1 1/4" | 1 3/8" 30/35 mm | 6"/6 1/4" | 150 | 3 1/2" 90 | 1 3/4" 45 | 4 1/2" | 114 | | | £600.00 | | | £35.00 |
| 1 1/2" | 40 mm | 7 1/2" | 188 | 3 1/2" 90 | 2" | 51 | 5" 127 | | | £800.00 | | | £45.00 |
| 1 3/4" | 45 mm | 7 1/2" | 188 | 3 1/2" 90 | 2 1/2" 64 | 5" | 127 | | | £860.00 | | | £70.00 |
| TYPE 3 | | | | | | | | | | With traditional type stuffing gland 'B' Dimension at 12" - 305mm | PSS Seal Option | Tides Marine Seal | 'B' Dimension Extra per 12" - 305mm |
| for Shaft diameter 'd' | | A | C2 | D | E | | | | | | 'B' Dimension 12" - 305 mm | | |
| 7/8" | 22 mm | 4 1/2" | 114 | 6 1/2" 165 | 1 1/2" 38 | 4" | 102 | | | £640.00 | £680.00 | £620.00 | £30.00 |
| 1" | 25 mm | 5" | 125 | 6 1/2" 165 | 1 1/2" 38 | 4" | 102 | | | £650.00 | £695.00 | £630.00 | £30.00 |
| 1 1/8" | | 5 1/4" | 135 | 6 1/2" 165 | 1 3/4" 45 | 4" | 102 | | | £665.00 | £695.00 | £635.00 | £35.00 |
| 1 1/4" | 1 3/8" 30/35 mm | 6"/6 1/4" | 150 | 7 1/2" 190 | 1 3/4"/2" 45 | 4 1/2" | 114 | | | £740.00 | £785.00 | £675.00 | £35.00 |
| 1 1/2" | 40 mm | 7 1/2" | 188 | 7 1/2" 190 | 2" | 51 | 5" 127 | | | £980.00 | £930.00 | £1,040.00 | £45.00 |
| 1 3/4" | 45 mm | 7 1/2" | 188 | 7 1/2" 190 | 2 1/2" 64 | 5" | 127 | | | £1,040.00 | £1,000.00 | £1,080.00 | £70.00 |
| TYPE 4 | | | | | | B Dim'n Extra for 25 to 48" 611 to 1220 mm | | | | With traditional type stuffing gland Dim'n 'B' up to 24" - 610 mm | PSS Seal Option | Tides Marine Seal | 'P' Bracket & cutless |
| for Shaft diameter 'd' | | C1 | D | F | | | | | | 'B' Dimension up to 24" - 610 mm | | | |
| 7/8" | 22 mm | 4" | 102 | 1 3/4" 44 | 10" | 254 | £40.00 | | | £265.00 | £305.00 | £245.00 | £245.00 |
| 1" | 25 mm | 4" | 102 | 1 3/4" 44 | 15 3/4" | 400 | £40.00 | | | £265.00 | £310.00 | £245.00 | £260.00 |
| 1 1/8" | | 4" | 102 | 2" 51 | 15 3/4" | 400 | £40.00 | | | £310.00 | £340.00 | £290.00 | £270.00 |
| 1 1/4" | 30 mm | 4 3/4" | 122 | 2 1/4" 57 | 15 3/4" | 400 | £60.00 | | | £370.00 | £400.00 | £290.00 | £350.00 |
| 1 3/8" | 35 mm | 4 3/4" | 122 | 2 1/2" 64 | 17 3/4" | 450 | £60.00 | | | £370.00 | £410.00 | £450.00 | £490.00 |
| 1 1/2" | 40 mm | 5 1/4" | 135 | 2 1/2" 64 | 17 3/4" | 450 | £70.00 | | | £520.00 | £480.00 | £580.00 | £580.00 |
| 1 3/4" | 45 mm | 5 1/4" | 135 | 3" 76 | 21 3/4" | 450 | £80.00 | | | £590.00 | £560.00 | £630.00 | £870.00 |
| TYPE 5 | | | | | | B Dim'n Extra for 25 to 48" 611 to 1220 mm | | | | With traditional type stuffing gland Dim'n 'B' up to 24" - 610 mm | PSS Seal Option | Tides Marine Seal | |
| for Shaft diameter 'd' | | C1 | D | | | | | | | | 'B' Dimension up to 24" - 610 mm | | |
| 7/8" | 22 mm | 4" | 102 | 1 3/4" 44 | | | £40.00 | | | £320.00 | £360.00 | £300.00 | |
| 1" | 25 mm | 4" | 102 | 1 3/4" 44 | | | £40.00 | | | £320.00 | £365.00 | £300.00 | |
| 1 1/8" | | 4" | 102 | 2" 51 | | | £40.00 | | | £380.00 | £410.00 | £360.00 | |
| 1 1/4" | 30 mm | 4 3/4" | 122 | 2 1/4" 57 | | | £60.00 | | | £430.00 | £460.00 | £350.00 | |
| 1 3/8" | 35 mm | 4 3/4" | 122 | 2 1/2" 64 | | | £60.00 | | | £440.00 | £480.00 | £520.00 | |
| 1 1/2" | 40 mm | 5 1/4" | 135 | 2 1/2" 64 | | | £70.00 | | | £600.00 | £560.00 | £660.00 | |
| 1 3/4" | 45 mm | 5 1/4" | 135 | 3" 76 | | | £80.00 | | | £690.00 | £660.00 | £730.00 | |