

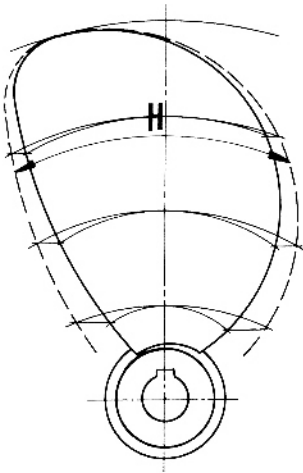


RADICE BLADE PROFILES

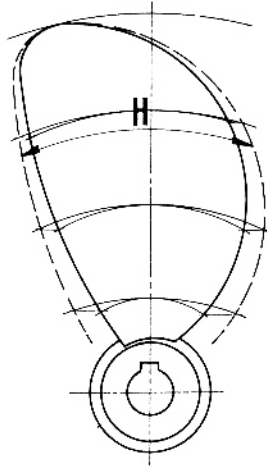
complete Range

ELICHE RADICE S.p.A.

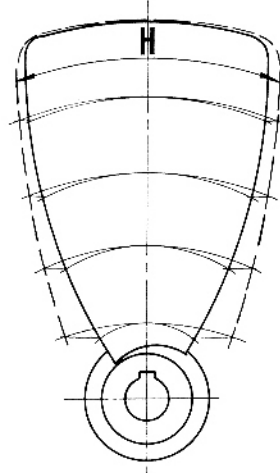
To calculate Blade Width where "D" is Diameter and "H" is Blade Width
 $H = D \times \text{factor}$ shown against each blade type & propeller model



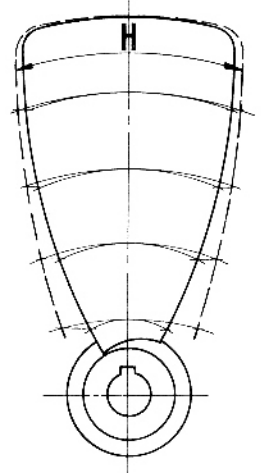
H = 0.376 of Prop. Dia.
 Propellers
 E13 - 3 blade
 B7 - 4 blade



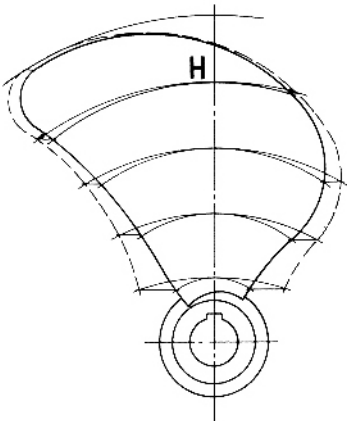
H = 0.311 of Prop. Dia.
 Propellers
 E12 - 3 blade
 B6 - 4 blade
 A3 - 5 blade



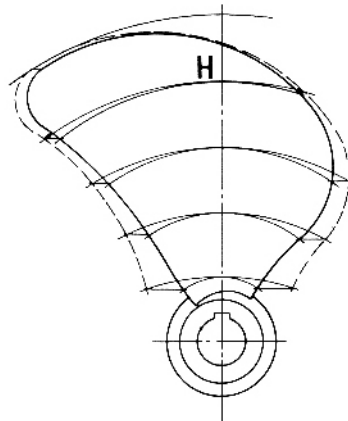
H = 0.352 of Prop. Dia.
 Propellers
 K3/50 - 3 blade
 K4/67 - 4 blade



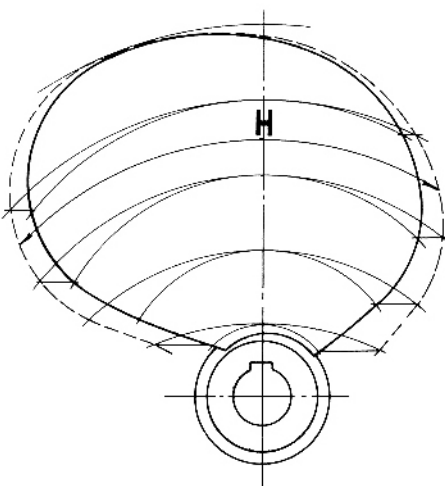
H = 0.306 of Prop. Dia.
 Propellers
 K3/42 - 3 blade
 K4/56 - 4 blade



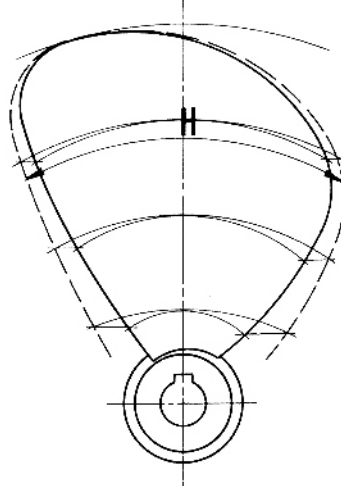
H = 0.423 of Prop. Dia.
 Propellers
 S8 - 4 blade



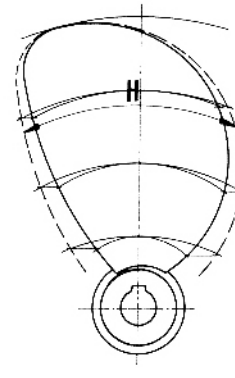
H = 0.430 of Prop. Dia.
 Propellers
 S9 - 5 blade



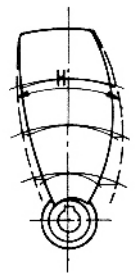
H = 0.611 of Prop. Dia.
 Propellers
 D10 - 3 blade



H = 0.436 of Prop. Dia.
 Propellers
 C7 - 3 blade
 C8 - 4 blade
 C9 - 5 blade



H = 0.376 of Prop. Dia.
 Propellers
 K11 - 2 blade



H = 0.250 of Prop. Dia.
 Propellers
 M12 - 2 blade

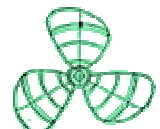
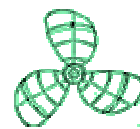


2 & 3 Blade Bronze Propellers

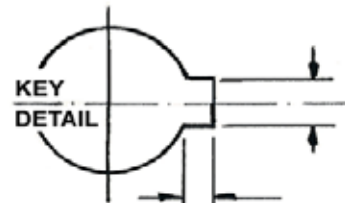
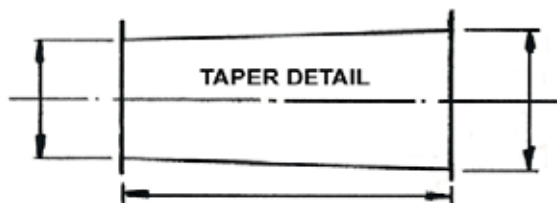
EUROPES LARGEST VOLUME PROPELLER MANUFACTURER

Diameter		2 BLADE SAILING TYPE M12:0.23	2 BLADE TURBINE TYPE K11:0.34	3 BLADE, FINE TYPE E12:0.43	3 BLADE STANDARD TYPE E13:0.52	3 BLADE EQUIPOISE TYPE C7:0.55
10"	254mm	-	-	-	°£215.00	-
11"	279mm	-	-	-	°£215.00	-
12"	305mm	°£215.00	°£215.00	°£215.00	°£225.00	-
13"	330mm	£230.00	£230.00	£255.00	£275.00	-
14"	356mm	£240.00	£240.00	£270.00	£285.00	-
15"	381mm	£245.00	£245.00	£280.00	£290.00	-
16"	406mm	£290.00	£290.00	£300.00	£325.00	£375.00
17"	432mm	-	£300.00	£325.00	£350.00	£395.00
18"	457mm	-	£330.00	£340.00	£375.00	£485.00
19"	483mm	-	-	-	£420.00	-
20"	508mm	-	-	-	£460.00	£575.00
21"	533mm	-	-	-	£565.00	-
22"	559mm	-	-	-	£710.00	£755.00

Propeller
Blade
Style



- Prices include standard taper boring & keyslot 1 in 10, 1 in 12 & 1 in 16 only 1 in 14 & 1 in 20 £20 net surcharge.
- Available in left & right hand & full range of popular pitches (pilot bore less £50 up to 17" and £60 above 17").
- Sillette stock range M12 - 12" to 16" Dia: K11 - 12" to 18" Dia: E12 - 12" to 18" Dia in righthand
E13 - 10" to 22" Dia, C7 - 16" to 22" Dia:°Propellers may not be of Radice origin or specification.(° See Above)
- Propeller material ot/man, specially formulated for Eliche Radice
It has good strength characteristic and a good resistance to corrosion.
Copper 53/56% Manganese 1.8/2.4% Nickel 1.5/2.0%
Mechanical resistance $R \geq 535 \text{ N/mm}^2$, yield strength $\geq 220 \text{ N/mm}^2$, elongation $\geq 25\%$
In most cases it is not necessary to specify mibral (Nickel Aluminium Bronze) which would add 30% to above prices.
- When ordering please specify following dimensions for bore & keyslot and confirm if they relate to propeller hub or shaft for folding propellers also specify thread ie. $\frac{3}{4}$ " BSF - M16 x 1.5 pitch etc



- Propellers correctly supplied to your order are not returnable.

The Radice Company, established in 1919 has always been one of the most advanced in designing and manufacturing any type of propeller, from small outboard propellers to ship's propellers up to 4 mtr in diameter. Due to their policy of continuous development, specification may change without prior notice, please check when ordering. Prices subject to change without notice.



EUROPES LARGEST VOLUME PROPELLER MANUFACTURER

**For, ENFIELD 130, SONIC, PERKINS, TRANSADRIE,
& VOLVO 80.88. Sterndrives**

13" Dia x 8" PITCH, L OR R	£145.00	14" Dia x 9" PITCH, L OR R	£145.00
13" Dia x 9" PITCH, L OR R	£145.00	14" Dia x 10" PITCH, L OR R	£145.00
13" Dia x 10" PITCH, L OR R	£145.00	14" Dia x 11" PITCH, L OR R	£145.00
13" Dia x 11" PITCH, L OR R	£145.00	14" Dia x 12" PITCH, L OR R	£145.00
13" Dia x 12" PITCH, L OR R	£145.00	14" Dia x 13" PITCH, L OR R	£145.00
13" Dia x 13" PITCH, L OR R	£145.00	14" Dia x 14" PITCH, L OR R	£145.00
13" Dia x 14" PITCH, L OR R	£145.00		

All 3 blade Aluminium for .80"/20.5mm Dia 12 Spline involute prop shaft.

RETAINING CONE, TAB WASHER AND SPACER FOR ABOVE set £45

For, VOLVO AQUAMATIC 100 - 110 - Pin drive

14" DIAMETER, PITCHES 10", 11", 12", 13" & 14" L or R £185.00

**For, ENFIELD 200, SONIC 250, TRANSADRIE 220,
& VOLVO AQUAMATIC 200.250.270.280.**

14" DIAMETER, PITCHES 9" TO 17"	left or right hand rotation	£190.00
15" DIAMETER, PITCHES 9" TO 17"	left or right hand rotation	£200.00
16" DIAMETER, PITCHES 12", 14", 16" & 18"	left or right hand rotation	£210.00

All 3 blade Aluminium for 1.100"/28mm Dia 17 Spline involute prop shaft, standard hub length

Retaining cone and Tab washer for above - Sillette type £45.00

Adaptor to convert 12 Spline Shafts to 17 Spline £75.00

**For, BUKH, YANMAR, NANNI, VOLVO & SONIC.
Sail Drives, 2 Blade. 17 Spline. 28mm Shaft**

14" DIAMETER, PITCHES 7", 8", 9" & 10"	left hand rotation	£190.00
15" DIAMETER, PITCHES 10", 11" & 13"	left hand rotation	£200.00
16" DIAMETER, PITCHES 11" & 13"	left hand rotation	£210.00
17" DIAMETER, PITCHES 12" & 14"	left hand rotation	£220.00
18" DIAMETER, PITCH 10" & 12"	left hand rotation	£270.00

Sail Drives, 3 Blade. 17 Spline. 28mm Shaft

12" DIAMETER, PITCH 8" (BUKH DVIOLSME- 6 spline)	right hand rotation	£240.00
14" DIAMETER, PITCHES 9", 10", 11" & 12"	left hand rotation	£235.00
15" DIAMETER, PITCHES 11", 12" & 13"	left hand rotation	£245.00
16" DIAMETER, PITCHES 11" & 12"	left hand rotation	£250.00
17" DIAMETER, PITCHES 11", 12", 13", 14", 15" & 16"	left hand rotation	£275.00
18" DIAMETER, PITCHES 15" & 16"	left hand rotation	£340.00

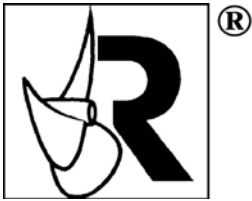
LOMBARDINI / SELVA Sail Drive, 3 Blade

14" DIAMETER, PITCHES 8", 9", 10", 11" & 12"	right hand rotation	£270.00
Cone Kit inc, tab washer and spacer for Yanmar, Sillette type, specify M16 or M20		£65.00
Spacer for Yanmar Saildrives, use with Sillette Cone & Tab Washer as spare part		£27.00
Cone Kit with centre bolt Volvo type 850396	net only	£81.00

Radice propellers are pitch checked and balanced during manufacture, samples are also subjected to destructive testing to ensure material consistency and correct functioning of the cushioned hub.

Reference to inch sizes in this price list is for Part No. identification purposes.

Propellers correctly supplied to order are not returnable.



2 Blade Folding Propellers

EUROPES LARGEST VOLUME PROPELLER MANUFACTURER

TAPER FITTING SHAFT PROPELLERS

**2 BLADE
FOLDING**

Available for left or right hand rotation

Bored & keywayed to standard 1:10, 1:12 or 1:16 tapers. (1:14 and 1:20 £20 net extra)

For use with propeller shaft diameters, 19 to 25 mm - 3/4" to 1"

12" Diameter x pitches 8" or 10" £510.00

13" Diameter x pitches 7", 8", 9" 10" or 11" £455.00

For use with propeller shaft diameters 22 to 25 mm 7/8 to 1"

14" Diameter x pitches 8", 9", 10" or 11" £520.00

15" Diameter x pitches 9", 10", 11", 12" or 13" £535.00

For use with propeller shaft diameters 25 to 35 mm - 1" to 1 3/8"

16" Diameter x pitches 10", 11", 12" or 13" £580.00

17" Diameter x pitches 10", 11", 12", 13" or 14" £640.00

For use with propeller shaft diameters. 30 to 40mm - 1 1/8" to 1 1/2"

18" Diameter x pitches 12", 13" or 14" £720.00

Pilot bored less £60 on above prices

Non standards tapers subject to individual quotation

Pitch availability quoted is for 2 blade.

SPLINE FITTING SAILDRIVE PROPELLERS

For Volvo 110's, Volvo 120's, Yanmar, Bukh, Nanni & Sonic Saildrives

13" Diameter x pitch 7", 8" or 9" Left hand £480.00

14" Diameter x pitch 7", 8", 9" or 10" Left hand £530.00

15" Diameter x pitch 9", 10", 11", 12" or 13" Left hand £545.00

16" Diameter x pitch 10", 11" or 13" Left hand £575.00

17" Diameter x pitch 10" or 13" Left hand £635.00

18" Diameter x pitch 11" or 12" Left hand £700.00

19" Diameter x pitch 12" Left hand £775.00

SPLINE FITTING SAILDRIVE PROPELLERS, for Lombardini-Selva

14" Diameter x pitch 8", 9" or 10" Right hand £545.00

15" Diameter x pitch 9", 10", 11" or 12" Right hand £555.00

16" Diameter x pitch 10", 11", 12" or 13" Right hand £575.00

For pitch and diameter recommendations forward full detail engine, reduction ratio and hull.

All reference to inch sizes on this list is for part identification purposes.

SPARE PARTS

Pivot pin retaining screw M8 x 30 or 35 (Grani Inox 01/4453/2D) £7.00

Nut side locking screw M8 x 16 (Grani Inox 5927) £2.00

Pivot pin L64 D14mm (Perni Inox 01/4497/4) £10.00

Nut, special nyloc SD M16 (Ogiva Fol 01606/078) £8.00

Nut, shaft propellers std type tapped as required £50.00

Nut, new SD type M16 £50.00

Spare blades 60% of propeller costs

Taper Shaft hub including boring. M1 & M2 (M3 add £35) £310.00

Yanmar, Volvo, Bukh SailDrive hub £325.00

Propeller extractor for tapered shaft 2BL Small £28.00 Large £37.00

Propellers & spare parts correctly supplied to your order are not returnable.