

# SONIC ELECT SAIL DRIVES Mk II

## THROUGH HULL SAILDRIVES

### AUXILIARY PROPULSION FOR SAILING VESSELS

20 to 33 ft/6 to 10 mtrs.

2 Models available:

Direct Drive 1:1

Reduction Drive 2:1

For use with L.E.M.C.O. 24V or 36V high torque permanent magnet DC motor/controller and operating lever or similar motor systems.

Bronze or Aluminium lower unit available. Choice of 2 or 3 blade fixed propeller or folding.

Motor and Sonic UK manufacture.

- Simple to install
- Cheaper to fit
- Quiet to run
- No diesel smell
- No wet exhaust
- No water intake
- No diaphragm
- No GRP base.  
etc etc.

But always remember  
**SONIC ELECT SAILDRIVE**  
is quiet, smooth and  
gives pollution free  
running.

**THE NEXT BEST THING  
TO SAILING**

**Sillette-Sonic Ltd**  
Unit 2, Beverley Trading Estate  
190-192 Garth Road, Morden  
Surrey SM4 4LU  
United Kingdom

tel: +44 (0)20 8337 7543  
fax: +44 (0)20 8330 9014  
e-mail: [sales@sillette.co.uk](mailto:sales@sillette.co.uk)  
website: <http://www.sillette.co.uk>



**REDUCTION DRIVE MODEL**



**DIRECT DRIVE MODEL**

a member of the



# SONIC ELECT SAIL DRIVES Mk II

TECHNICAL DETAILS

## REDUCTION DRIVE MODEL

**2:1 Reduction.** For use with 36V (48V - 8kw to special order). L.E.M. 200 D.C. motor running at 1500rpm - 4½kw or similar electric motors.

### Propeller max. diameter

- 2 blade fixed 17"/432mm
- 3 blade fixed 16"/406mm
- 2 blade folding 16½"/419mm

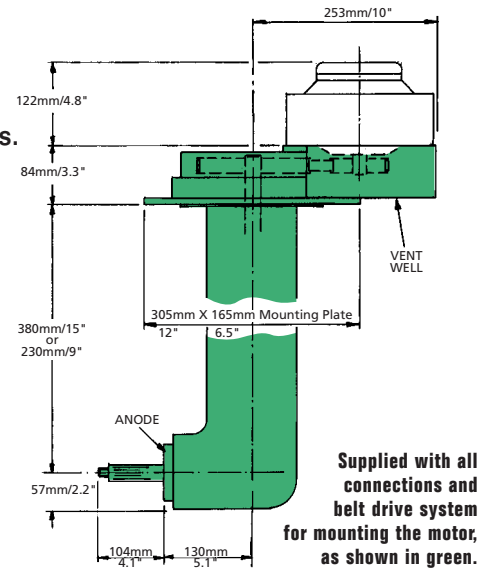
### Propeller shaft options

- Ø 28mm - 17 spline *or*
- Ø 25mm - 1 in 10 taper

LM6 Aluminium *or* Gunmetal Bronze lower unit

### Approx weight with motor

Aluminium 33kg / Bronze 40kg



Supplied with all connections and belt drive system for mounting the motor, as shown in green.

TECHNICAL DETAILS

## DIRECT DRIVE MODEL

**1:1 Direct Drive.** For use with 24V L.E.M. 200 D.C. motor running at 1000rpm/2.8kw or similar electric motors.

### Propeller max. diameter

- 2 blade fixed 15"/381mm
- 3 blade fixed 14"/356mm
- 2 blade folding 15"/381mm

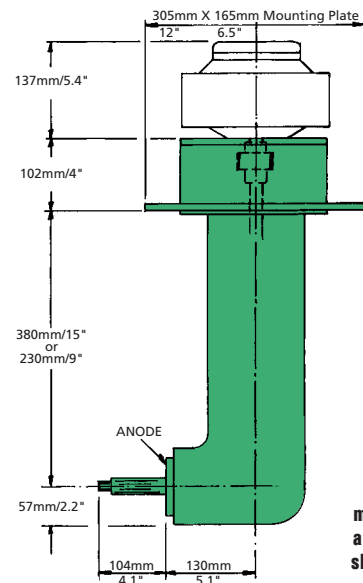
### Propeller shaft options

- Ø 28mm - 17 spline *or*
- Ø 25mm - 1 in 10 taper

LM6 Aluminium *or* Gunmetal Bronze lower unit

### Approx weight with motor

Aluminium 28kg / Bronze 35kg



Supplied with motor mounting and coupling as shown in green.

L.E.M. 200 24V or 36V D.C. motor complete with controller and operating lever. shunt box, wire and connectors.

Available from: Sillette Sonic Ltd Tel. 020 8337 7543

Other motor systems are available for use with Sonic-Elect including use of a 48V system. Also various battery packs & chargers. Weights from 65kgs and other control options available.

The Sonic Elect Saildrive should be considered as an option to outboard or inboard diesels up to say 16HP for auxiliary propulsion. The package which is easy to install, requires little maintenance weighs less than 120kg including basic battery pack and remember the batteries can be used as ballast.

A 100Ah/24V battery pack allows up to 3 hours of peaceful cruising.

The addition of 2 extra batteries, weight 60 kg can double this range. With a potential re-charge cost of under 20p/30cents and minimal servicing, the electric saildrive is a cost effective option, which offers quiet pollution free cruising without the vibration associated with a diesel engine. Batteries can be re-charged at the marina, or by wind generator, solar panel, or consider a portable generator set for emergencies.

Due to continual development Sillette Sonic Ltd reserve the right to alter, modify or replace any specification or design feature without prior notice please check when ordering.

## CUT OUT AND MOUNTING DETAIL BOTH MODELS

