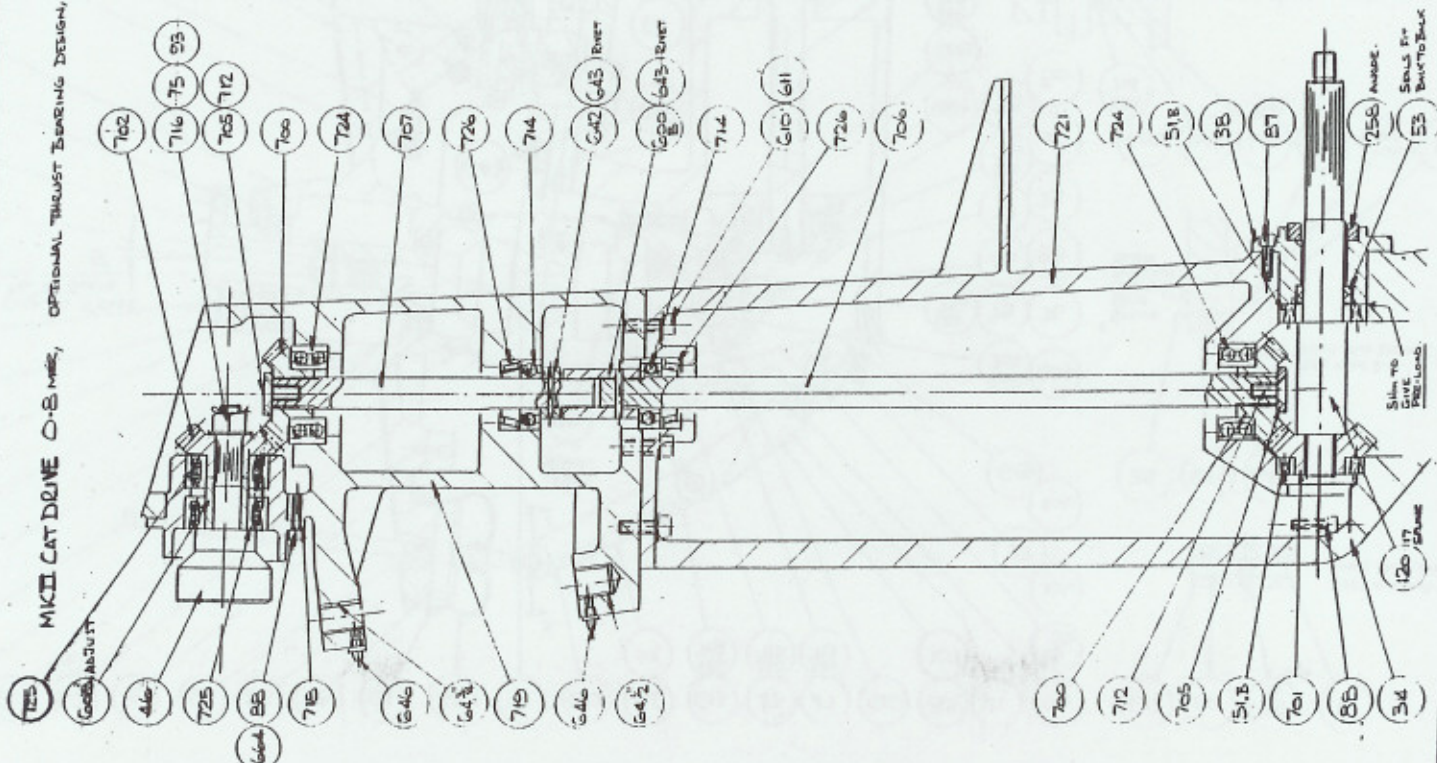
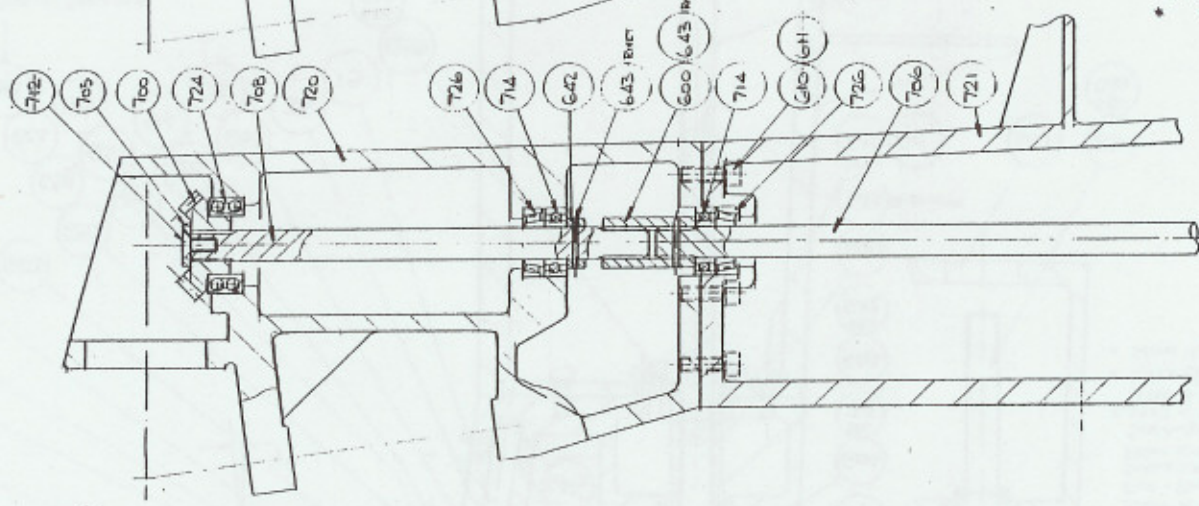


MIKI CAT DRIVE O-S MIB, OPTIONAL THROUGH BEARING DESIGN

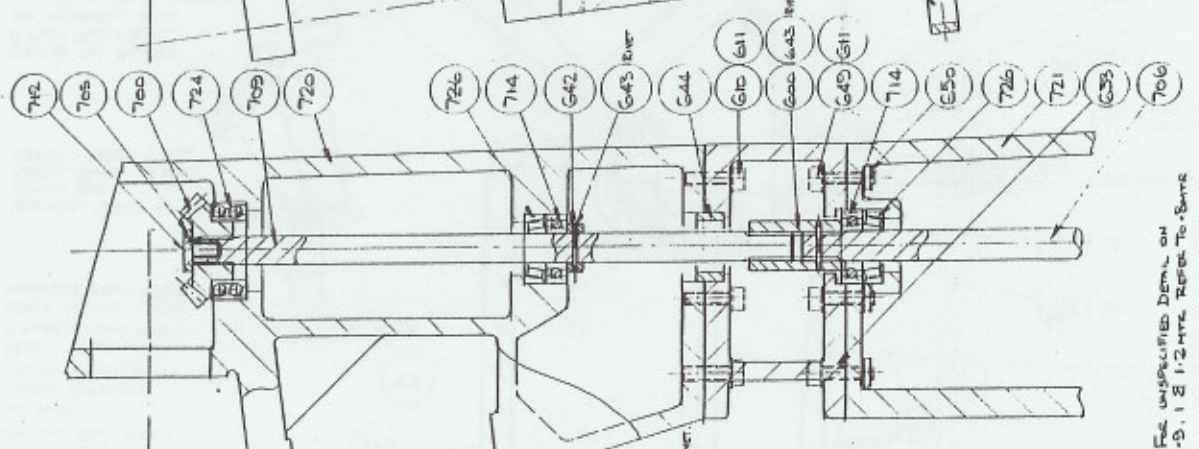


0x5 MTR,



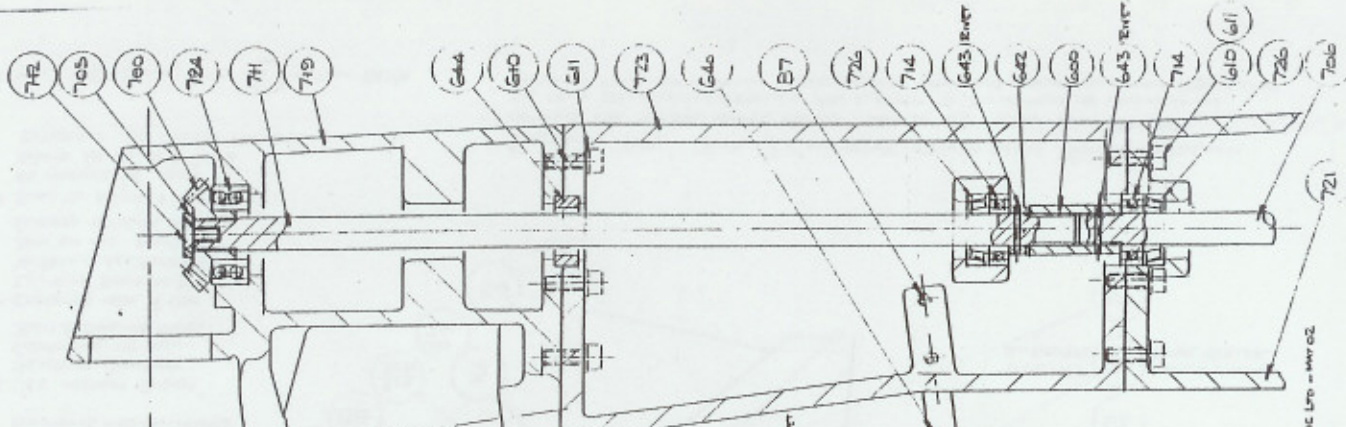
- * USE LOCATE TO SECURE BEARINGS, SPACERS & GEAR
- * USE INTERIOR GRASSET (SILICONE) ON ALL BEARING FACES
- * ADD 200" VERTICAL SHIMPT(S) LENGTH TO GIVE CORRECT BEARING PRELOAD.

1.0 MTR,



- * FOR UNSPECIFIED DETAIL ON .5, 1 & 1.2 MTR, REFER TO 1.2MTR
- * THIS DRAWING IS TO SHOW ORIGINAL THROUGH BEARING DESIGN WITH SPIRAL BEVEL GEARS. FOR FULL DETAIL, REFER ALSO TO G.A. FEB98
- * Shim Behind Gears at Bearings TO GIVE CORRECT MESH & ALIGNMENT OF GEARS

1.2 MTR, AVAILABLE FROM SHAW CO.



C SILVERTE SONIC LTD - MW02